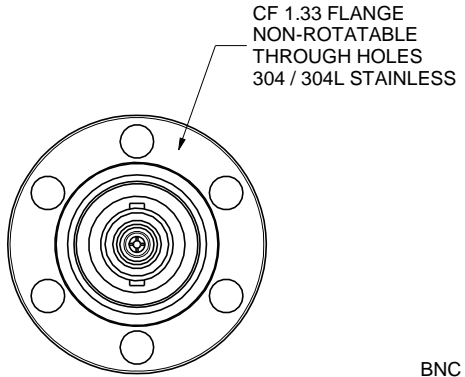
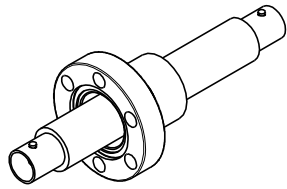


**PROPRIETARY AND CONFIDENTIAL**  
 THE INFORMATION CONTAINED IN THIS DRAWING IS THE SOLE PROPERTY OF ACCU-GLASS PRODUCTS INC. ANY REPRODUCTION IN PART OR AS WHOLE WITHOUT THE WRITTEN PERMISSION OF ACCU-GLASS PRODUCTS INC. IS **PROHIBITED.**

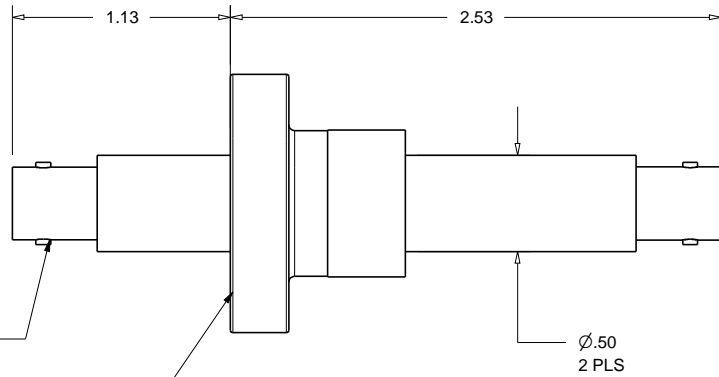
Rev	Description	Date	Approved
A	INITIAL RELEASE		



CF 1.33 FLANGE  
 NON-ROTATABLE  
 THROUGH HOLES  
 304 / 304L STAINLESS

BNC STYLE CONNECTOR  
 BOTH ENDS

VACUUM SIDE



Related Flange Hardware	1.33" CF Flange
P/N 200730,	Copper Gasket
P/N 200735,	Bolts, Nuts and Washers set



Accu-Glass Products Inc.  
 25047 Anza Drive  
 Valencia, CA 91355  
 TEL 818-365-4215  
 FAX 818-365-7074  
 accuglassproducts.com

Notes:  
 1. DIMENSIONS SYMMETRICAL ABOUT CENTERLINES  
 2. No detectable leaks @  $5 \times 10^{-10}$  cc/s He.

**\*UNCONTROLLED WEB COPY\***

Material assembly	
Tolerances unless otherwise specified.	
.X ± .03	Angular: +/- .5°
.XX ± .01	Finish: Min. 63 Ra
.XXX ± .005	

Title: <b>2BNC-GS-275</b> CF 1.33 WITH BNC DOUBLE ENDED GROUND SHIELD			
Drawn By Date	CR 4/3/2012	DWG. NO. <b>110120</b>	Rev. <b>A</b>
Approved	C M	PDFE	Sheet 1 OF 1