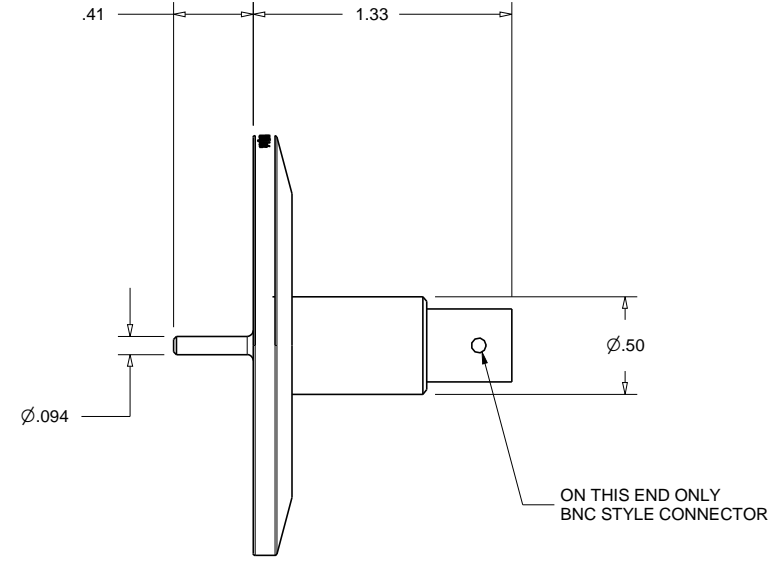
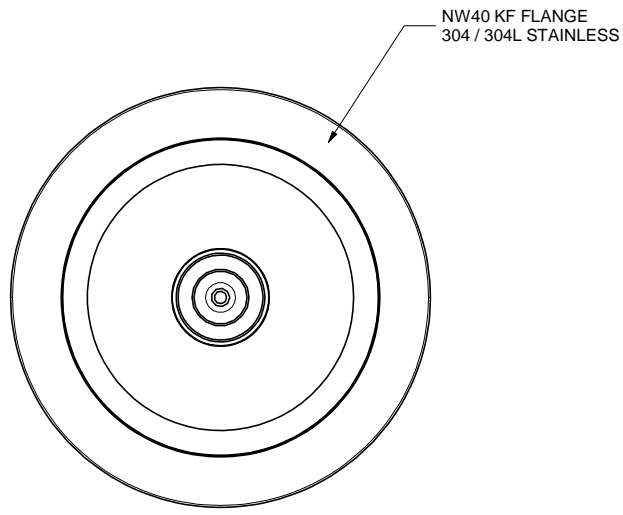
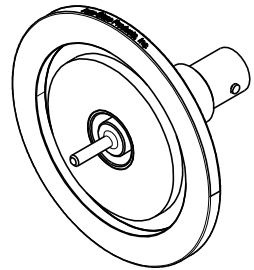


PROPRIETARY AND CONFIDENTIAL
 THE INFORMATION CONTAINED IN THIS DRAWING IS THE SOLE PROPERTY OF ACCU-GLASS PRODUCTS INC. ANY REPRODUCTION IN PART OR AS WHOLE WITHOUT THE WRITTEN PERMISSION OF ACCU-GLASS PRODUCTS INC. IS **PROHIBITED.**

Rev	Description	Date	Approved
A	INITIAL RELEASE		



Related Flange Hardware	NW40KF ISO Flange
P/N 202220,	Centering Ring - Stainless / Viton
P/N 202225,	Hinged Clamp - Aluminum



Accu-Glass Products Inc.
 25047 Anza Drive
 Valencia, CA 91355
 TEL 818-365-4215
 FAX 818-365-7074
 accuglassproducts.com

Notes:
 1. DIMENSIONS SYMMETRICAL ABOUT CENTERLINES
 2. No detectable leaks @ 5×10^{-10} cc/s He.

UNCONTROLLED WEB COPY

Material assembly		Title: BNC-GS-K40 NW40 KF, BNC SINGLE SIDED, GROUNDED SHIELD	
Tolerances unless otherwise specified.		Drawn By Date	CR 4/3/2012
.X ± .03	Angular: +/- .5°	DWG. NO.	110126
.XX ± .01	Finish: Min. 63 Ra	Approved	C M
.XXX ± .005		PDFE	Sheet 1 OF 1