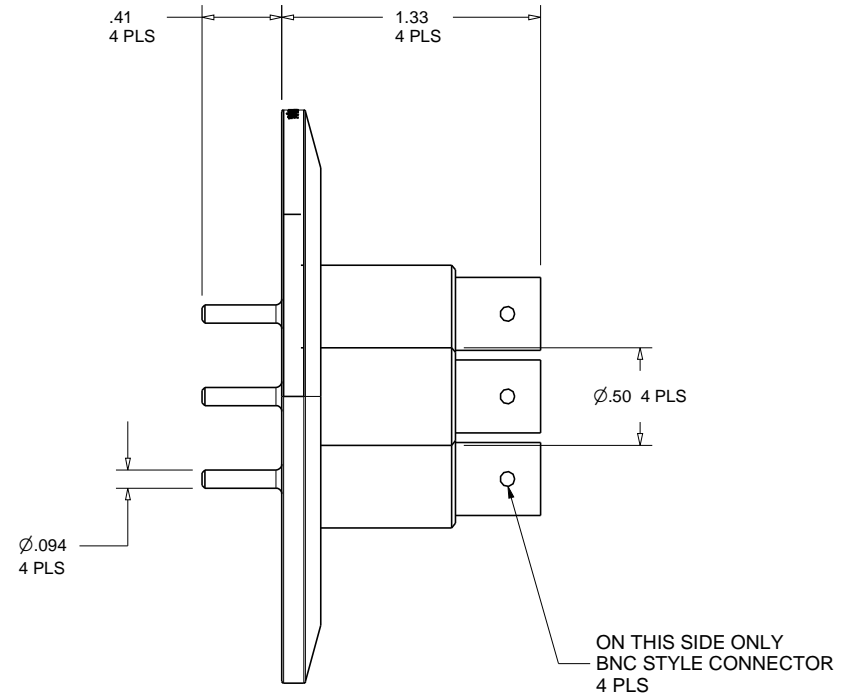
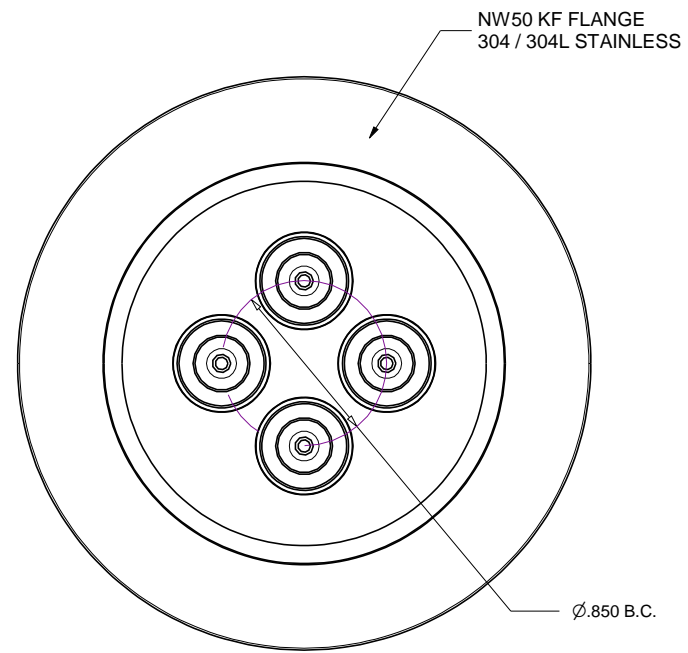
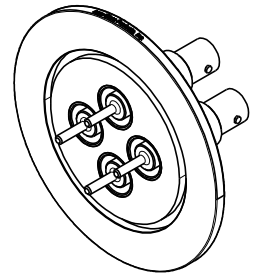


PROPRIETARY AND CONFIDENTIAL
 THE INFORMATION CONTAINED IN THIS DRAWING IS THE SOLE PROPERTY OF ACCU-GLASS PRODUCTS INC. ANY REPRODUCTION IN PART OR AS WHOLE WITHOUT THE WRITTEN PERMISSION OF ACCU-GLASS PRODUCTS INC. IS **PROHIBITED.**

Rev	Description	Date	Approved
A	INITIAL RELEASE	091907	
B	FEEDTHROUGH BC Ø1.00 INTERFERED	082708	C M
C	RE-DRAWN ALIBRE. NO CHANGES	040212	C M



Related Flange Hardware	NW50KF ISO Flange
P/N 202230,	Centering Ring - Stainless / Viton
P/N 202235,	Hinged Clamp - Aluminum

WHEN USING OUR ACCU-FAST 500 CONNECTORS ON VACUUM SIDE. THE 4 CONNECTORS WILL FIT INTO A Ø1.37 ID TUBE WITHOUT INTERFERENCE



Accu-Glass Products Inc.
 25047 Anza Drive
 Valencia, CA 91355
 TEL 818-365-4215
 FAX 818-365-7074
 accuglassproducts.com

Notes:
 1. DIMENSIONS SYMMETRICAL ABOUT CENTERLINES
 2. No detectable leaks @ 5×10^{-10} cc/s He.

UNCONTROLLED WEB COPY

Material ASSEMBLY	
Tolerances unless otherwise specified.	
.X ± .03	Angular: +/- .5°
.XX ± .01	Finish: Min. 63 Ra
.XXX ± .005	

Title: BNC-GS4-K50			
NW50 KF, 4EA BNC SINGLE, GROUNDED SHIELD			
Drawn By Date	C REYNOLDS 040412	SDWG. NO. 110129	Rev. C
Approved	C M	PDFE	Sheet 1 OF 1