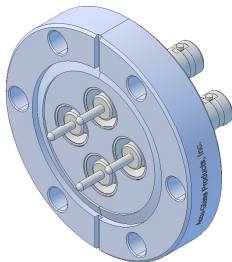
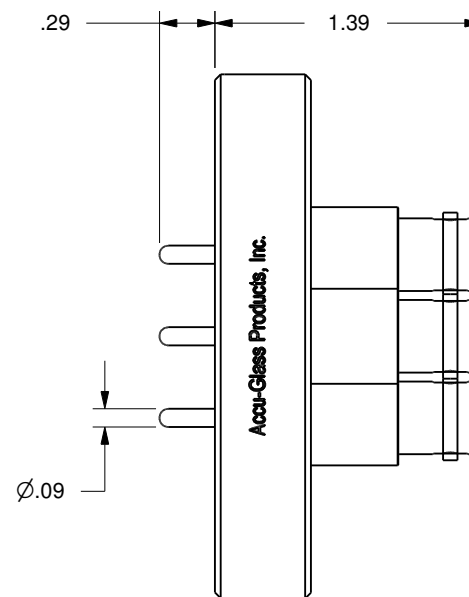
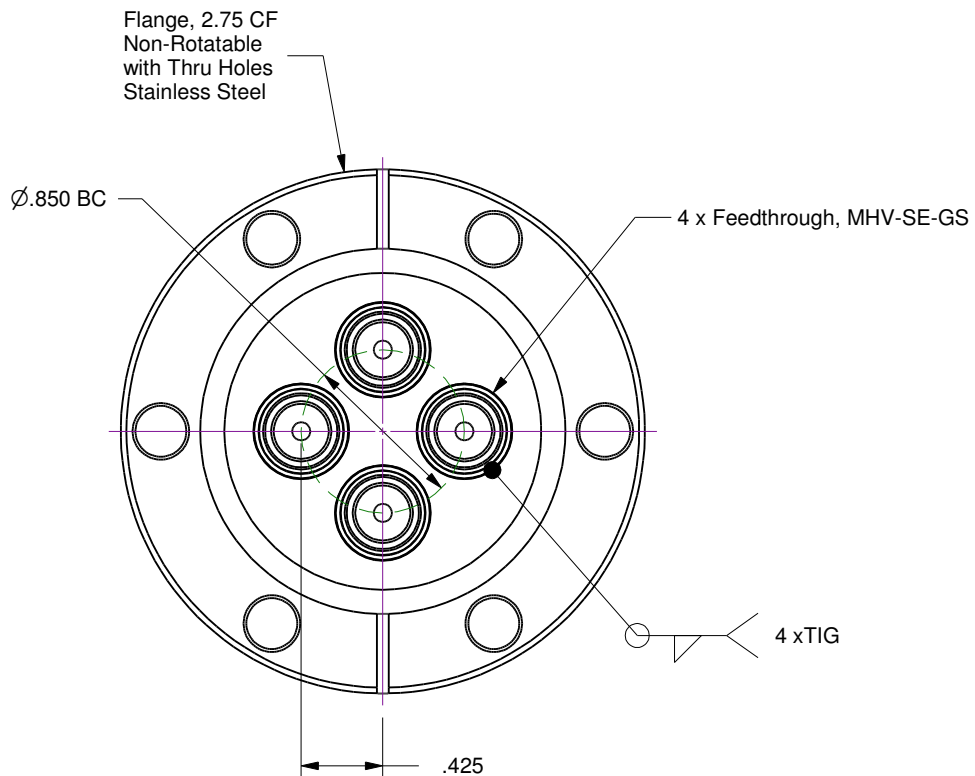


Notes

- 1. Leak Tested To 5x10E-10 standard cc/se of He.
- 2. Dimensions Symmetrical About Centerlines.
- 3. Protect Knife-Edge (seal surface) From Damage.
- 4. Revision B will accommodate Accufast 500 Connectors and Will Fit Inside A Standard Size 1.37" Tube ID.



Rev	Description	Date
B	BC Changed From 1.00 to 0.850	4/17/08 Wilson
A	Initial Release	NA



Accu-Glass Products Inc.
 25047 Anza Drive
 Valencia, CA 91355
 T 818-365-4215
 F 818-365-7074
 www.accuglassproducts.com

UNCONTROLLED WEB DRAWING

Proprietary and Confidential
 The information contained in this drawing is the sole property of Accu-Glass, Products Inc. Any reproduction, in part or as whole, without the written permission of Accu-Glass Products, Inc., is strictly prohibited.

Material
 See Individual Components

Tolerances,
 unless otherwise specified

.X ± .030	Angles ± 0.5° Finish 63Ra
.XX ± .010	
.XXX ± .005	

Title

MHV-GS4-275

Drawn by Date	Ligeti 11/23/2015	No. 110144	Rev. B
Approved			Sheet