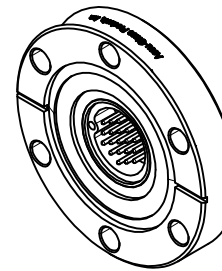
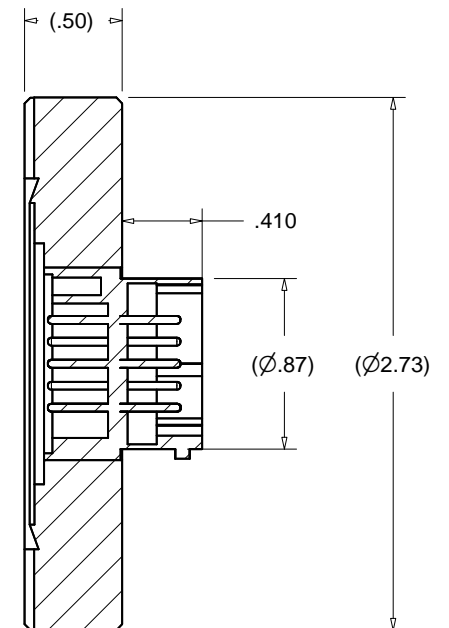
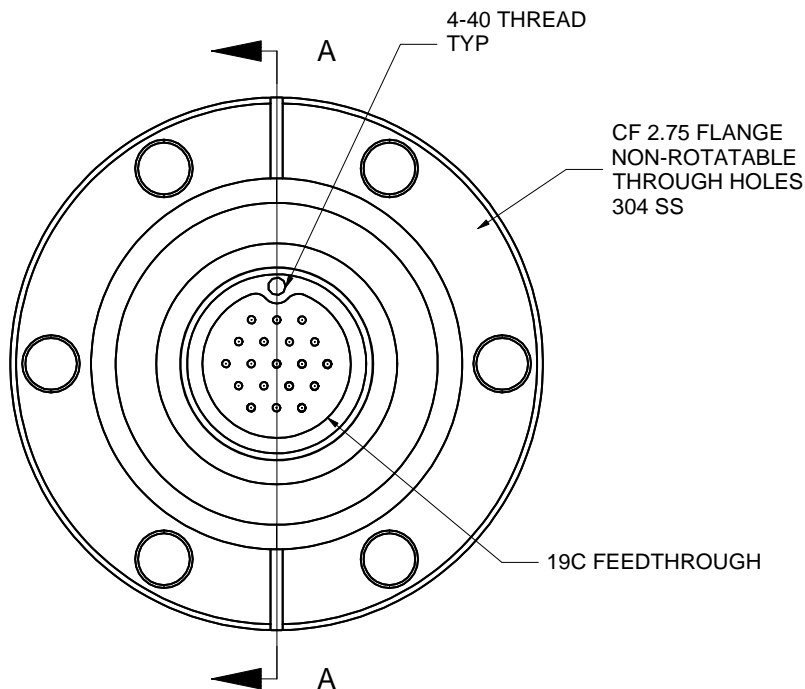


PROPRIETARY AND CONFIDENTIAL
 THE INFORMATION CONTAINED IN THIS
 DRAWING IS THE SOLE PROPERTY OF
 ACCU-GLASS PRODUCTS INC. ANY
 REPRODUCTION IN PART OR AS WHOLE
 WITHOUT THE WRITTEN PERMISSION OF
 ACCU-GLASS PRODUCTS INC. IS
PROHIBITED.

Specifications:	
Voltage	500 VDC
Current	5A Max. @ 20°C <small>(per pin up to 20% of total number of pins)</small>
Temperature	-200 °C to 250 °C
Vacuum Level	UHV 1x10 ⁻¹⁰ Torr.



Rev	Description	Date	Approved



Section A-A

Related Flange Hardware	2.75" CF Flange
P/N 200760,	Copper Gasket
P/N 200764,	Bolts, Nuts and Washers set



Accu-Glass Products Inc.
 25047 Anza Drive
 Valencia, CA 91355
 TEL 818-365-4215
 FAX 818-365-7074
 accuglassproducts.com

Notes:
 1. No detectable leaks @ 5x10⁻¹⁰ cc/s He.

UNCONTROLLED WEB COPY

Material SEE ABOVE	
Tolerances unless otherwise specified.	
.X ± .03	Angular: +/- .5°
.XX ± .01	Finish: Min. 63 Ra
.XXX ± .005	

Title: 19C-275 CF 2.75 FLANGE WITH 19C FEEDTHROUGH			
Drawn By Date	CR 061009	DWG. NO. 110210	Rev. A
Approved	C M	PDFE	Sheet 1 OF 1