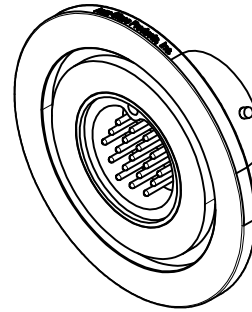
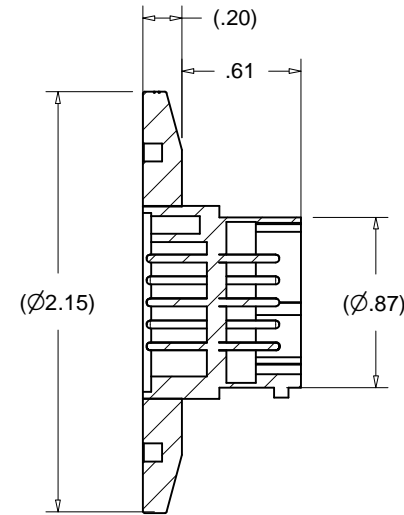
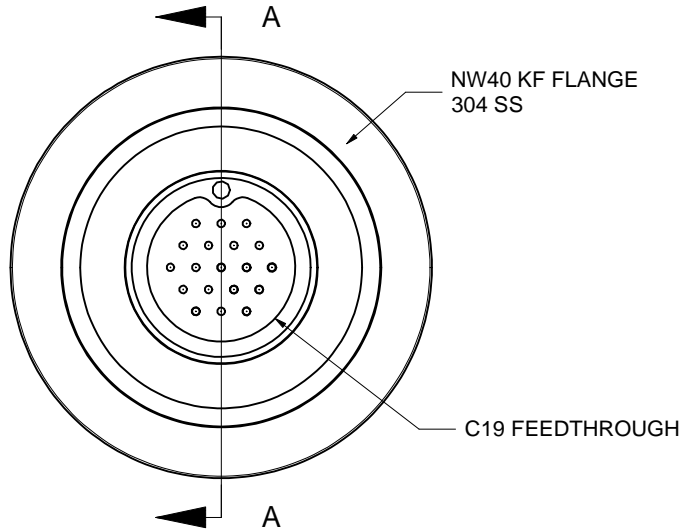


**PROPRIETARY AND CONFIDENTIAL**  
 THE INFORMATION CONTAINED IN THIS  
 DRAWING IS THE SOLE PROPERTY OF  
 ACCU-GLASS PRODUCTS INC. ANY  
 REPRODUCTION IN PART OR AS WHOLE  
 WITHOUT THE WRITTEN PERMISSION OF  
 ACCU-GLASS PRODUCTS INC. IS  
**PROHIBITED.**

<b>Specifications:</b>	
Voltage	500 VDC
Current	5A Max. @ 20°C <small>(per pin up to 20% of total number of pins)</small>
Temperature	-26 C to 150 C <small>(Dependent on O-Ring type used)</small>
Vacuum Level	HV 1x10 <sup>-8</sup> Torr.



Rev	Description	Date	Approved



Section A-A

Related Flange Hardware	NW40KF ISO Flange
P/N 202220,	Centering Ring - Stainless / Viton
P/N 202225,	Hinged Clamp - Aluminum



Accu-Glass Products Inc.  
 25047 Anza Drive  
 Valencia, CA 91355  
 TEL 818-365-4215  
 FAX 818-365-7074  
 accuglassproducts.com

Notes:  
 1. No detectable leaks @ 5x10<sup>-10</sup> cc/s He.

**\*UNCONTROLLED WEB COPY\***

Material SEE ABOVE	
Tolerances unless otherwise specified.	
.X ± .03	Angular: +/- .5°
.XX ± .01	Finish: Min. 63 Ra
.XXX ± .005	

Title: <b>19C-K40</b> <b>NW40 KF FLANGE WITH 19C FEEDTHROUGH</b>			
Drawn By Date	CR 061009	DWG. NO. 110220	Rev. A
Approved	C M	PDFE	Sheet 1 OF 1