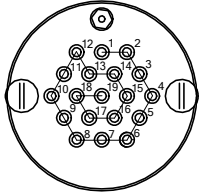
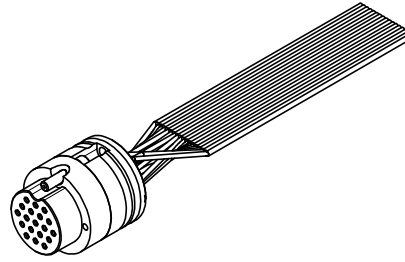


PROPRIETARY AND CONFIDENTIAL
 THE INFORMATION CONTAINED IN THIS DRAWING IS THE SOLE PROPERTY OF ACCU-GLASS PRODUCTS INC. ANY REPRODUCTION IN PART OR AS WHOLE WITHOUT THE WRITTEN PERMISSION OF ACCU-GLASS PRODUCTS INC. IS **PROHIBITED.**

HOLE NUMBER ASSIGNMENTS
 REAR VIEW

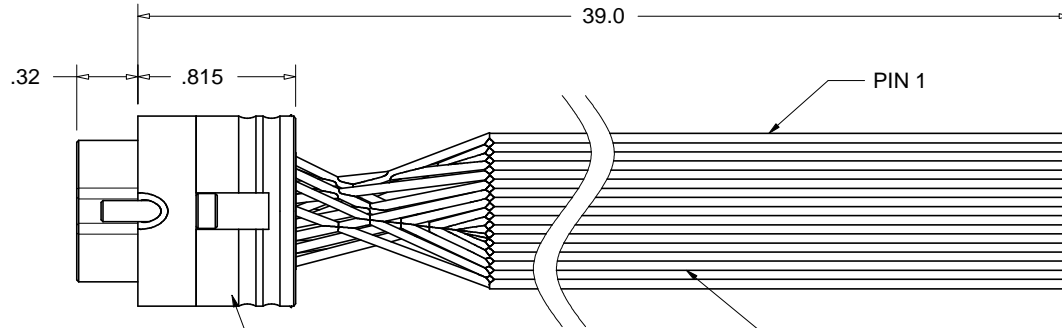
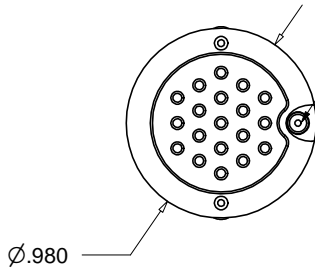


NUMBERS DO NOT APPEAR
 ON PART



Rev	Description	Date	Approved
A	INITIAL RELEASE	020410	C M

4-40 VENTED
 SOCKET HEAD
 CAP SCREW
 STAINLESS



PEEK FEMALE 19C, 19 PIN
 CONNECTOR ASSEMBLY

19 CONDUCTOR KAPTON
 INSULATED RIBBON CABLE
 28 AWG SILVER PLATED COPPER
 STRANDED WIRE



Accu-Glass Products Inc.
 25047 Anza Drive
 Valencia, CA 91355
 TEL 818-365-4215
 FAX 818-365-7074
 accuglassproducts.com

Notes:
 1. DIMENSIONS SYMMETRICAL ABOUT CENTERLINES

UNCONTROLLED WEB COPY

Material ASSEMBLY	
Tolerances unless otherwise specified.	
.X ± .03	Angular: +/- .5°
.XX ± .01	Finish: Min. 63 Ra
.XXX ± .005	

Title: KAP-R19-39SC			
19C PEEK FEMALE CONNECTOR WITH KAPTON RIBBON			
Drawn By Date	CR 020410	DWG. NO. 110231	Rev. A
Approved	C M	PDFE	Sheet 1 OF 1