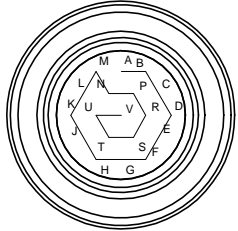


**PROPRIETARY AND CONFIDENTIAL**  
 THE INFORMATION CONTAINED IN THIS DRAWING IS THE SOLE PROPERTY OF ACCU-GLASS PRODUCTS INC. ANY REPRODUCTION IN PART OR AS WHOLE WITHOUT THE WRITTEN PERMISSION OF ACCU-GLASS PRODUCTS INC. IS **PROHIBITED.**

HOLE LETTER ASSIGNMENTS  
 REAR VIEW WITH  
 STRAIN RELIEF REMOVED

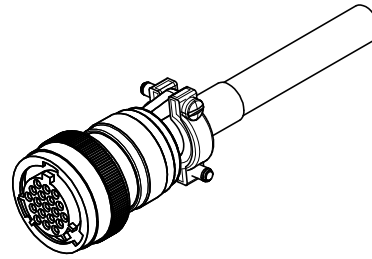
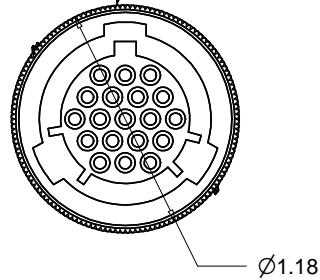


LETTERS MARKED ON PART  
 AS SHOWN

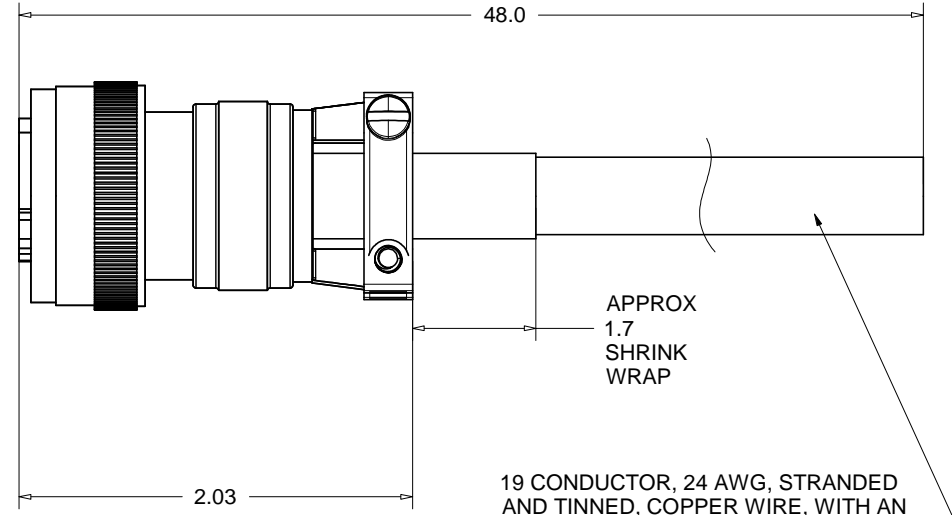
ACCU-GLASS PRODUCTS, INC.  
 TYPICAL WIRING

- A - YELLOW PAIR 1
- B - BLACK PAIR 1
- C - BROWN PAIR 2
- D - BLACK PAIR 2
- E - ORANGE PAIR 3
- F - BLACK PAIR 3
- G - RED PAIR 4
- H - WHITE PAIR 4
- J - RED PAIR 5
- K - BLACK PAIR 5
- L - BLUE PAIR 6
- M - BLACK PAIR 6
- N - GREEN PAIR 7
- P - BLACK PAIR 7
- R - RED PAIR 8
- S - BLUE PAIR 8
- T - WHITE PAIR 9
- U - BLACK PAIR 9
- V - GREEN PAIR 10
- RED PAIR 10

DIE CAST ALUMINUM WITH  
 ELECTR-LESS NICKEL PLATING



Rev	Description	Date	Approved
A	INITIAL RELEASE	020410	C M



19 CONDUCTOR, 24 AWG, STRANDED AND TINNED, COPPER WIRE, WITH AN ALUMINUM-POLYESTER FOIL SHIELD WRAP IN A GREY PVC JACKET

RELATED PRODUCTS, AIR CP19
P/N 110235, CONTACT, FEMALE, TYPE-T5i 20-24AWG
P/N 110702, CRIMP TOOL, FOR TYPE-T5i CONTACTS
P/N 111612, EXTRACTION TOOL, FOR TYPE-T5i CONTACTS
P/N 111611, INSERTION TOOL, FOR TYPE-T5i CONTACTS



Accu-Glass Products Inc.  
 25047 Anza Drive  
 Valencia, CA 91355  
 TEL 818-365-4215  
 FAX 818-365-7074  
 accuglassproducts.com

Notes:

**\*UNCONTROLLED WEB COPY\***

Material ASSEMBLY		Title: <b>AIR-CP19-48SC</b>	
Tolerances unless otherwise specified.		19C AIR SIDE FEMALE CONNECTOR AND CABLE 48" OAL	
.X ± .03	Angular: +/- .5°	Drawn By CR 081809	Rev. A
.XX ± .01	Finish: Min. 63 Ra	DWG. NO. 110232	
.XXX ± .005		Approved CM	Sheet 1 OF 1