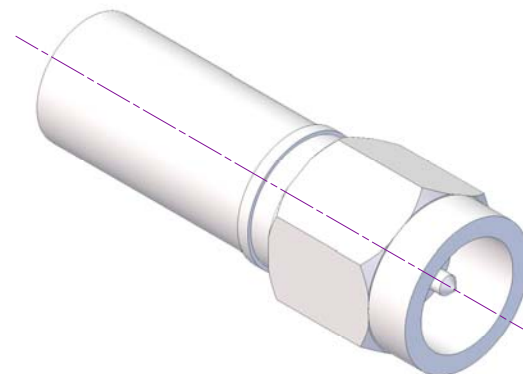


Notes

- 1. Air-service crimp-style male SMA connector used with RG58 Cable
- 2. AG Model No. AIR-SMA-C
- 3. Maximum dimension measured across corners

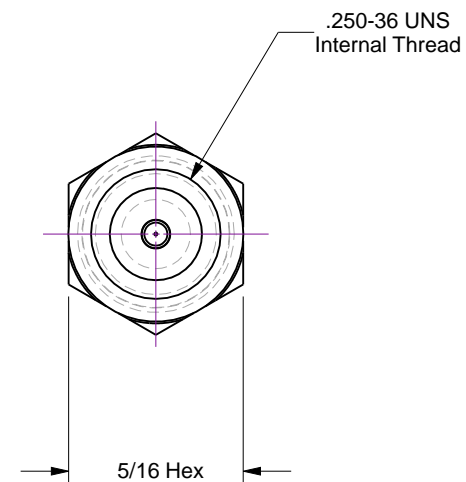
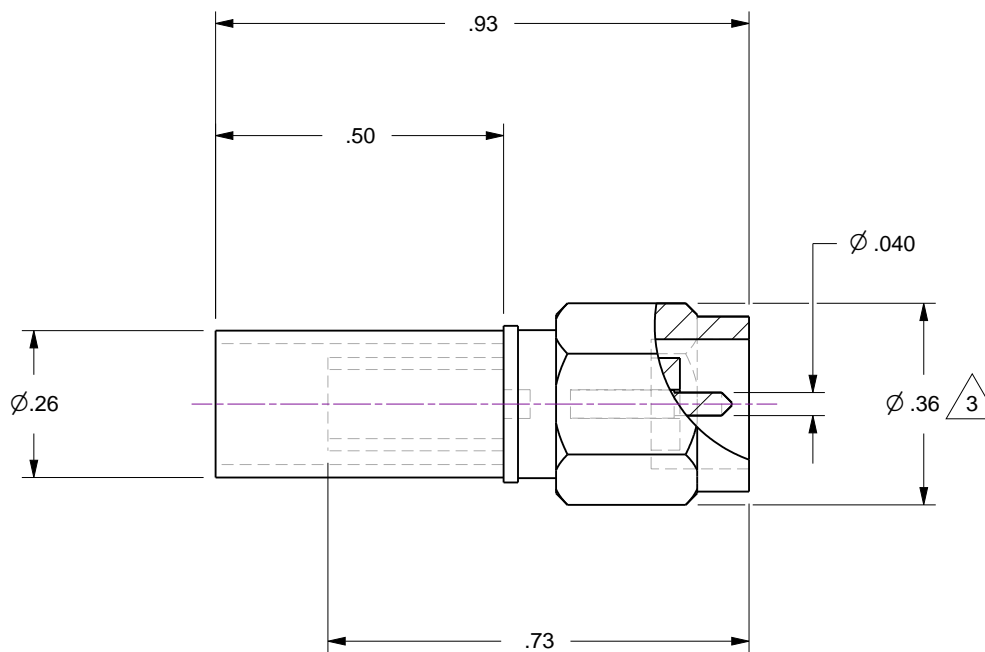
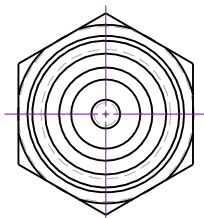
Rev	Description	Date
A	Initial Release	



A

B

C



D



Accu-Glass Products Inc.
 25047 Anza Drive
 Valencia, CA 91355
 T 818-365-4215
 F 818-365-7074
 www.accuglassproducts.com

UNCONTROLLED WEB DRAWING

Proprietary and Confidential
 The information contained in this drawing is the sole property of Accu-Glass, Products Inc. Any reproduction, in part or as whole, without the written permission of Accu-Glass Products, Inc., is strictly prohibited.

Material See Individual Components	
Tolerances, unless otherwise specified	
.X ± .030	Angles ± 0.5° Finish 63Ra
.XX ± .010	
.XXX ± .005	

Title SMA, Coaxial Connector			
Drawn by Date	Ligeti 9/21/2015	No. 110772	Rev. A
Approved			Sheet