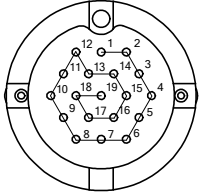
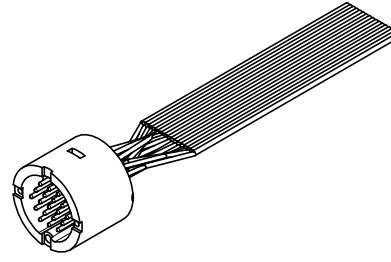


**PROPRIETARY AND CONFIDENTIAL**  
 THE INFORMATION CONTAINED IN THIS DRAWING IS THE SOLE PROPERTY OF ACCU-GLASS PRODUCTS INC. ANY REPRODUCTION IN PART OR AS WHOLE WITHOUT THE WRITTEN PERMISSION OF ACCU-GLASS PRODUCTS INC. IS **PROHIBITED.**

HOLE NUMBER ASSIGNMENTS  
 FRONT VIEW



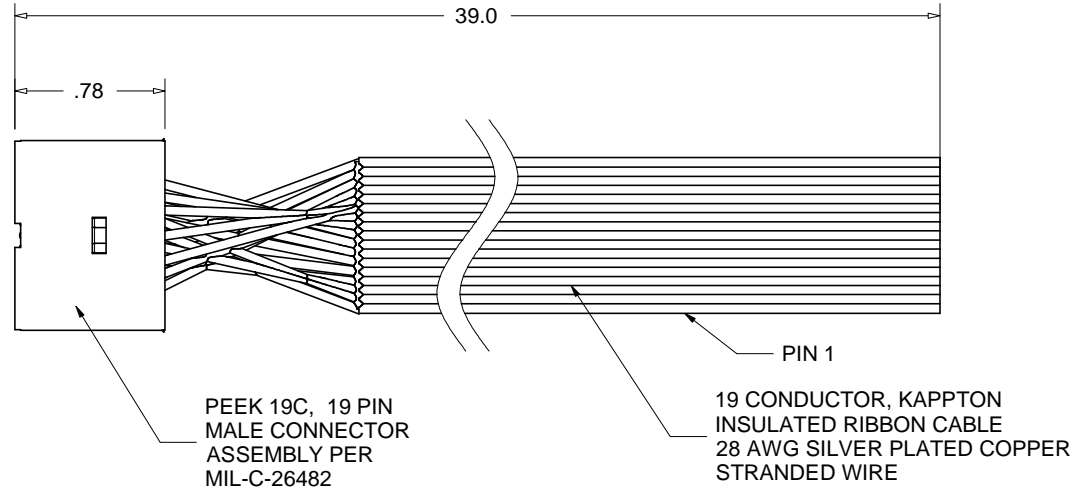
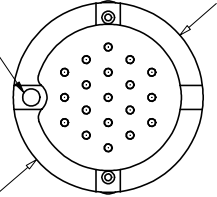
NUMBERS DO NOT APPEAR ON PART



Rev	Description	Date	Approved
A	INITIAL RELEASE	020410	C M

4-40 UNC TAPPED

Ø.98



Accu-Glass Products Inc.  
 25047 Anza Drive  
 Valencia, CA 91355  
 TEL 818-365-4215  
 FAX 818-365-7074  
 accuglassproducts.com

Notes:  
 1. DIMENSIONS SYMMETRICAL ABOUT CENTERLINES

**\*UNCONTROLLED WEB COPY\***

Material  
 ASSEMBLY

Tolerances unless otherwise specified.

.X ± .03	Angular: +/- .5°
.XX ± .01	Finish:
.XXX ± .005	Min. 63 Ra

Title: **KAP-R19-39PC**  
**19C PEEK MALE KAPTON RIBBON 39"LG**

Drawn By Date	CR 020410	DWG. NO. <b>110813</b>	Rev. <b>A</b>
Approved	C M	PDFE	Sheet 1 OF 1