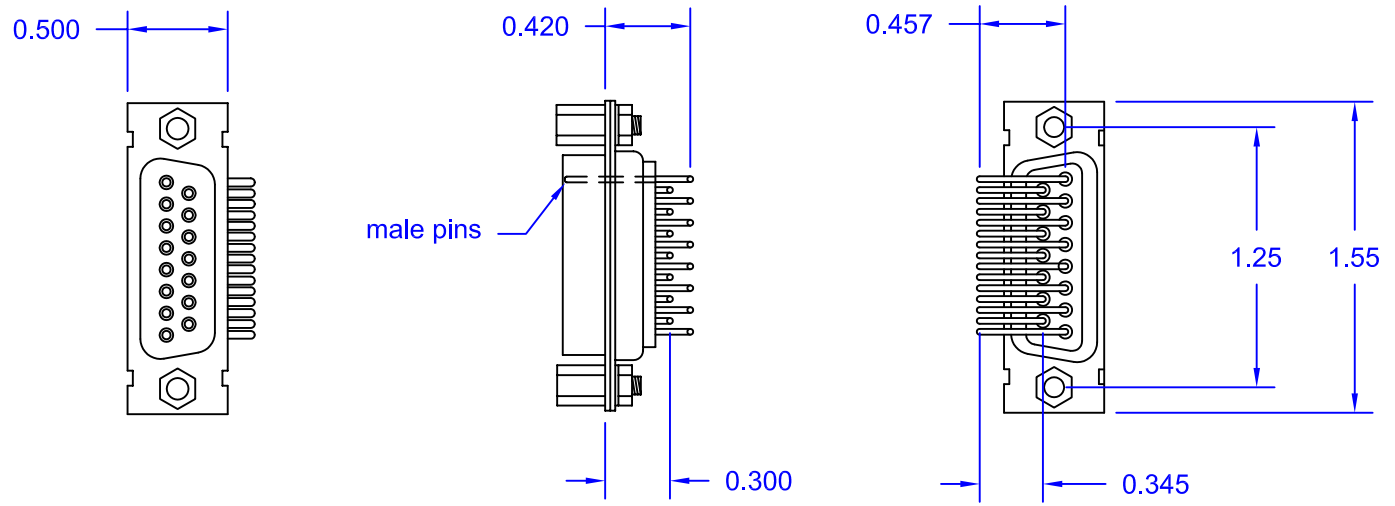


REVISIONS			
REV	DESCRIPTION	DATE	APPROVED



Accu-Glass Products Inc.
 25047 Anza Drive
 Valencia, CA 91355
 TEL 818-365-4215
 FAX 818-365-7074
 accuglassproducts.com

Notes :

*** UNCONTROLLED WEB COPY ***

Material	
Tolerances unless otherwise specified	
Decimal	Angular
.xx= +/- .005	+/- 1°
.xxx= +/- .002	

Title			
15D-HVPCBP			
Drawn By	M.Wilson	DWG NO.	111101
Approved		PDFE	Cage Code : 4HCQ8
			Date 1-30-08