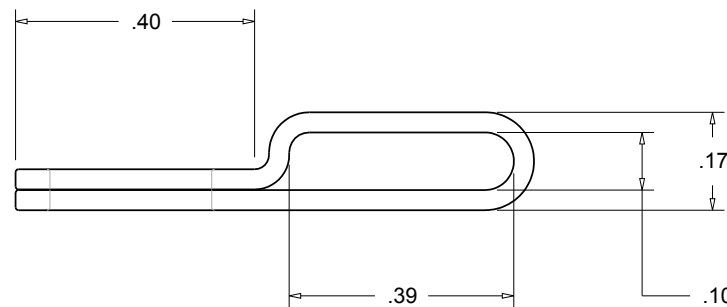
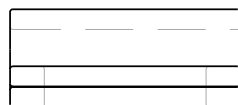
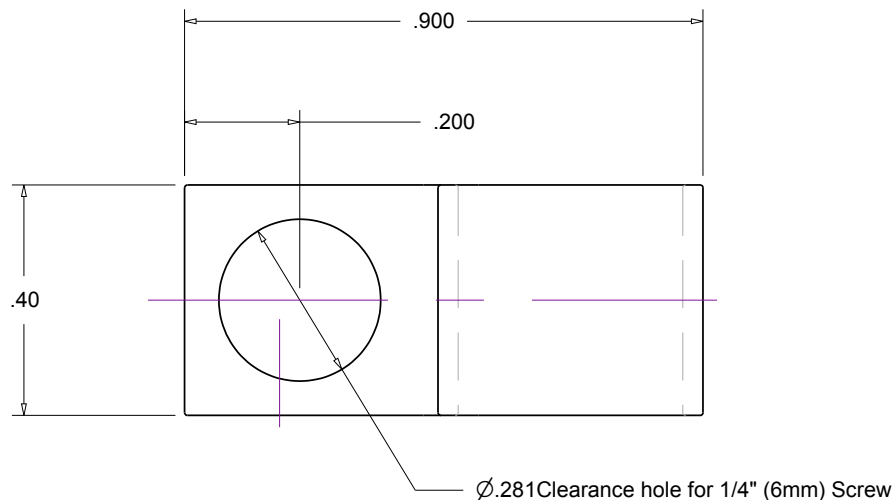
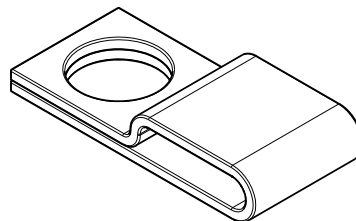


Notes

- 1. Dimensional Tolerances  
    .XX ± 0.020  
    .XXX ± 0.010
- 2. This part is sold in packs of 5



Rev	Description	Date	Approved
-			



**Accu-Glass Products Inc.**  
 25047 Anza Drive  
 Valencia, CA 91355  
 T 818-365-4215  
 F 818-365-7074  
 www.accuglassproducts.com

**UNCONTROLLED WEB DRAWING**

Proprietary and Confidential  
 The information contained in this drawing is the sole property of Accu-Glass, Products Inc. Any reproduction, in part or as whole, without the written permission of Accu-Glass Products, Inc., is strictly prohibited.

Material 304 Stainless Steel	
Tolerances, unless otherwise specified	
.X ± .030	Angles ± 0.5° Finish 63Ra
.XX ± .010	
.XXX ± .005	

Title <b>Tie Mount, Folded Stainless Steel</b>			
Drawn by Date	Ligeti 4/17/2013	No. <b>111152</b>	Rev. -
Approved			Sheet