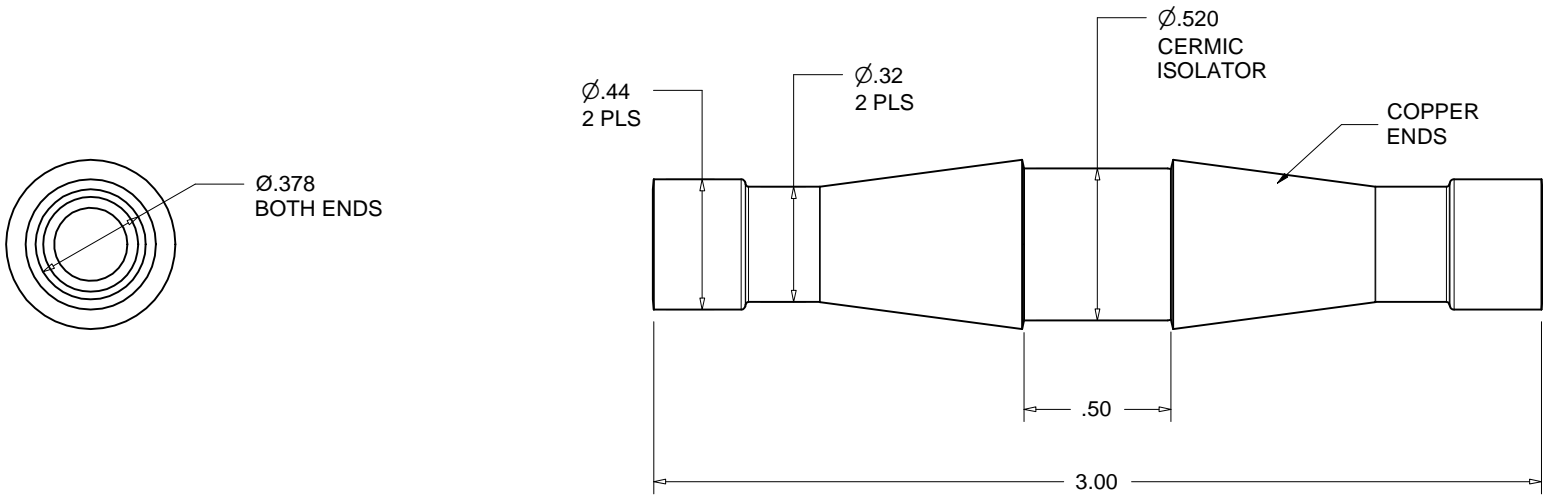
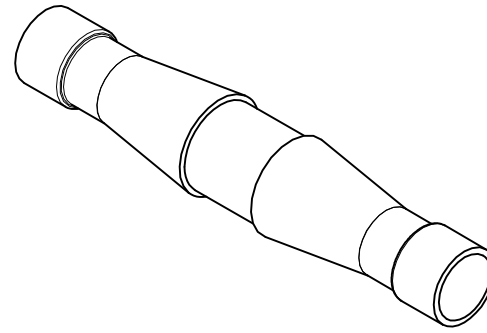


PROPRIETARY AND CONFIDENTIAL
 THE INFORMATION CONTAINED IN THIS
 DRAWING IS THE SOLE PROPERTY OF
 ACCU-GLASS PRODUCTS INC. ANY
 REPRODUCTION IN PART OR AS WHOLE
 WITHOUT THE WRITTEN PERMISSION OF
 ACCU-GLASS PRODUCTS INC.IS
PROHIBITED.

Rev	Description	Date	Approved



ACCU-GLASS PRODUCTS
 Accu-Glass Products Inc.
 25047 Anza Drive
 Valencia, CA 91355
 TEL 818-365-4215
 FAX 818-365-7074
 accuglassproducts.com

- Notes:
1. MAXIMUM LINE PRESURE 75 PSIG
 2. DO NOT EXCEED 700° C DURING INSTALLATION
 3. MAXIMUM THERMAL GRADIENT OF 25° C PER MIN ACROSS BREAK

UNCONTROLLED WEB COPY

Material SEE ABOVE	
Tolerances unless otherwise specified.	
.X ± .03	Angular: +/- .5°
.XX ± .01	Finish: Min. 63 Ra
.XXX ± .005	

Title: 3/8 ID WATER BREAK COPPER / CERAMIC			
Drawn By Date	CR 031709	DWG. NO. 111181	Rev. A
Approved	C M	PDFE	Sheet 1 OF 1