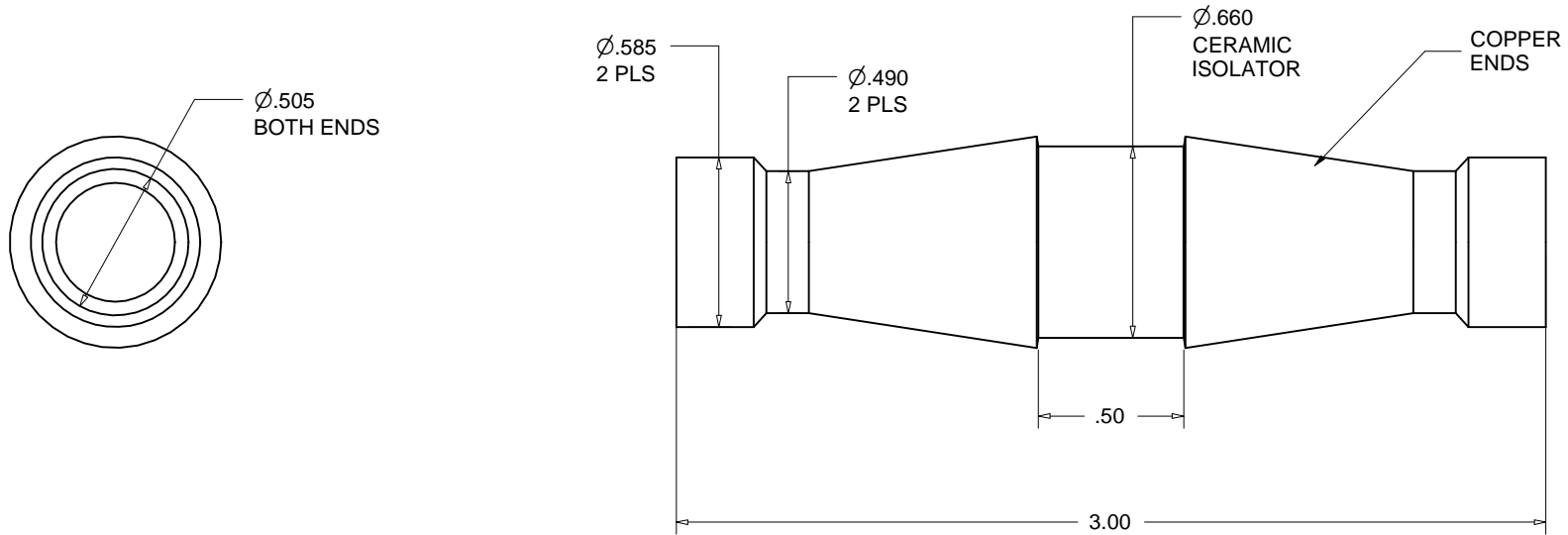
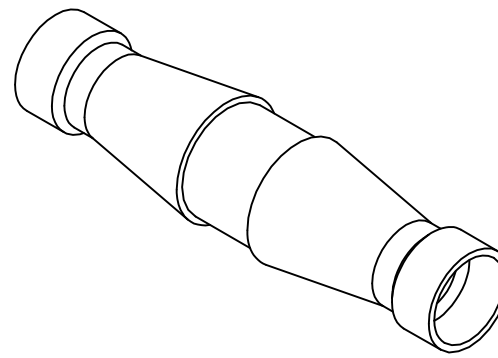


PROPRIETARY AND CONFIDENTIAL
 THE INFORMATION CONTAINED IN THIS
 DRAWING IS THE SOLE PROPERTY OF
 ACCU-GLASS PRODUCTS INC. ANY
 REPRODUCTION IN PART OR AS WHOLE
 WITHOUT THE WRITTEN PERMISSION OF
 ACCU-GLASS PRODUCTS INC. IS
PROHIBITED.

Rev	Description	Date	Approved



Accu-Glass Products Inc.
 25047 Anza Drive
 Valencia, CA 91355
 TEL 818-365-4215
 FAX 818-365-7074
 accuglassproducts.com

- Notes:
1. MAXIMUM LINE PRESURE 75 PSIG
 2. DO NOT EXCEED 700° C DURING INSTALLATION
 3. MAXIMUM THERMAL GRADIENT OF 25° C PER MIN ACROSS BREAK

UNCONTROLLED WEB COPY

Material
 SEE ABOVE

Tolerances unless otherwise
 specified.

.X ± .03	Angular: +/- .5°
.XX ± .01	Finish: Min. 63 Ra
.XXX ± .005	

Title: **1/2 ID WATER BREAK
 CERAMIC / COPPER**

Drawn By Date	CR 031809	DWG. NO. 111182	Rev. A
Approved	C M	PDFE	Sheet 1 OF 1