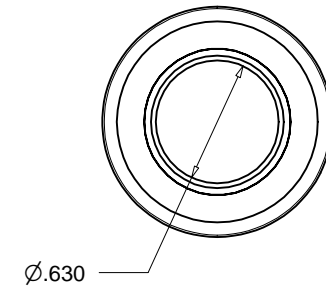
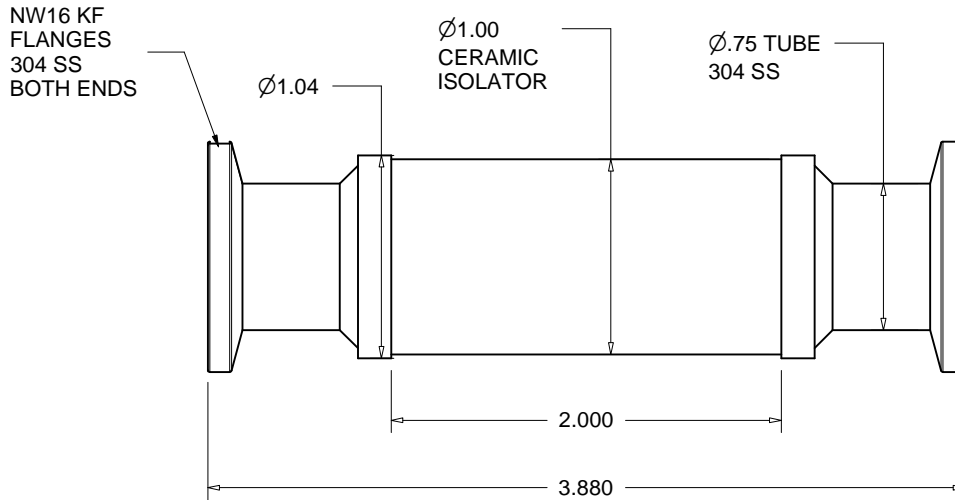
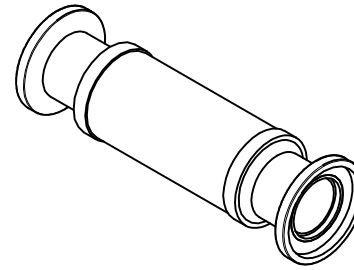


**PROPRIETARY AND CONFIDENTIAL**  
 THE INFORMATION CONTAINED IN THIS  
 DRAWING IS THE SOLE PROPERTY OF  
 ACCU-GLASS PRODUCTS INC. ANY  
 REPRODUCTION IN PART OR AS WHOLE  
 WITHOUT THE WRITTEN PERMISSION OF  
 ACCU-GLASS PRODUCTS INC. IS  
**PROHIBITED.**

Rev	Description	Date	Approved



**ACCU-GLASS PRODUCTS**  
 Accu-Glass Products Inc.  
 25047 Anza Drive  
 Valencia, CA 91355  
 TEL 818-365-4215  
 FAX 818-365-7074  
 accuglassproducts.com

Notes:

**\*UNCONTROLLED WEB COPY\***

Material  
 SEE ABOVE

Tolerances unless otherwise  
 specified.

.X $\pm$ .03	Angular: +/- .5°
.XX $\pm$ .01	Finish: Min. 63 Ra
.XXX $\pm$ .005	

Title: **35kV VACUUM BREAK MOUNTED WITH  
 NW16 KF FLANGES**

Drawn By  
 Date

CR  
 031209

DWG.  
 NO. 111192

Rev. A

Approved

C M

PDFE

Sheet 1 OF 1