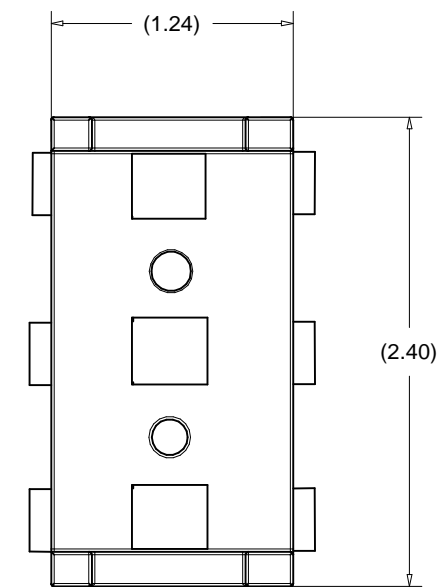
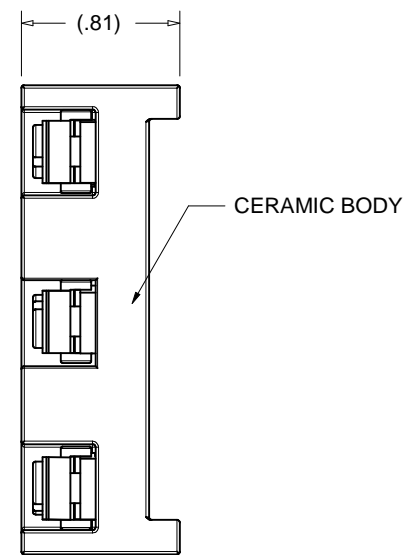
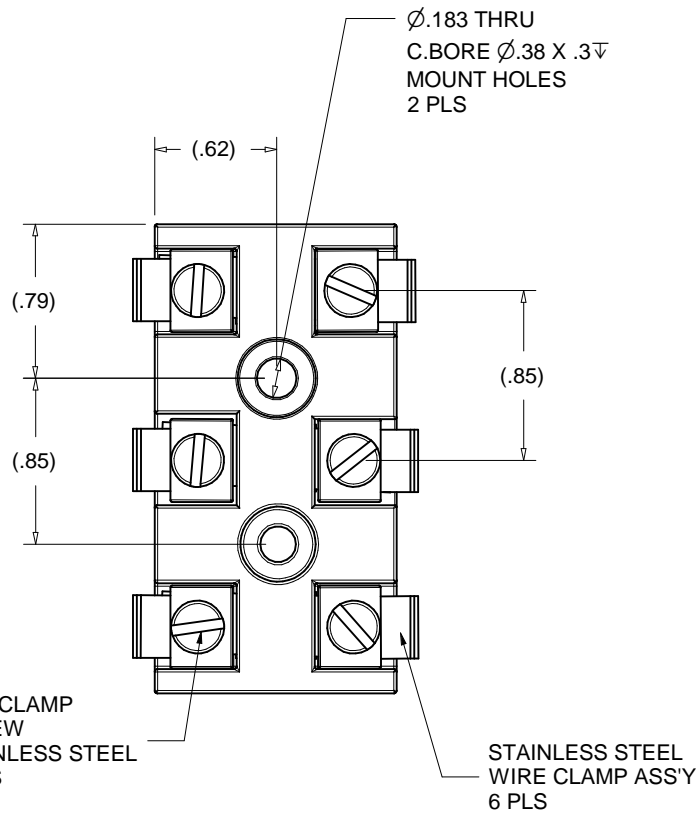
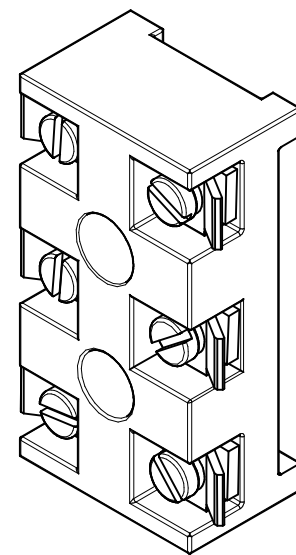


**PROPRIETARY AND CONFIDENTIAL**  
 THE INFORMATION CONTAINED IN THIS  
 DRAWING IS THE SOLE PROPERTY OF  
 ACCU-GLASS PRODUCTS INC. ANY  
 REPRODUCTION IN PART OR AS WHOLE  
 WITHOUT THE WRITTEN PERMISSION OF  
 ACCU-GLASS PRODUCTS INC. IS  
**PROHIBITED.**

Rev	Description	Date	Approved




Accu-Glass Products Inc.  
 700 Arroyo Ave.  
 San Fernando, CA 91340  
 TEL 818-365-4215  
 FAX 818-365-7074  
 accuglassproducts.com

Notes:

**\*UNCONTROLLED WEB COPY\***

Material SEE ABOVE	
Tolerances unless otherwise specified.	
.X $\pm$ .03	Angular: +/- .5°
.XX $\pm$ .01	Finish: Min. 63 Ra
.XXX $\pm$ .005	

Title: <b>CER-TB-3P CERAMIC 3 POLE TERMINAL BLOCK</b>			
Drawn By Date	CR 062209	DWG. NO. 111621	Rev. A
Approved	C M		Sheet 1 OF 1