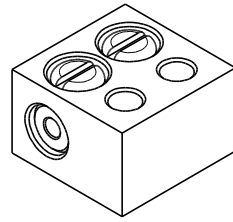
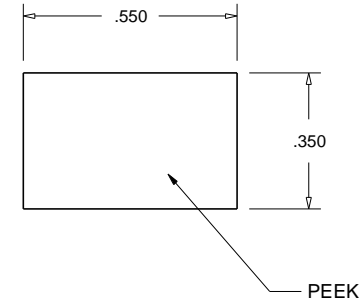
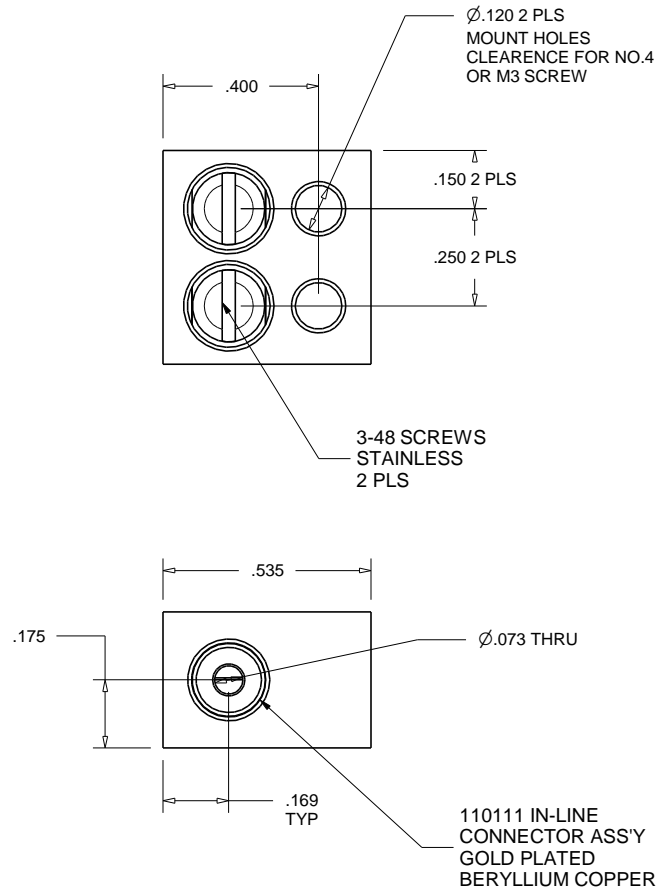


**PROPRIETARY AND CONFIDENTIAL**  
 THE INFORMATION CONTAINED IN THIS DRAWING IS THE SOLE PROPERTY OF ACCU-GLASS PRODUCTS INC. ANY REPRODUCTION IN PART OR AS WHOLE WITHOUT THE WRITTEN PERMISSION OF ACCU-GLASS PRODUCTS INC. IS **PROHIBITED.**

Specifications	
Voltage	TBD
Current	10A
Temperature	250° C MAX
Vacuum Level	UHV 1 x 10 <sup>-10</sup> Torr.



Rev	Description	Date	Approved
A	INITIAL RELEASE		




Accu-Glass Products Inc.  
 700 Arroyo Ave.  
 San Fernando, CA 91340  
 TEL 818-365-4215  
 FAX 818-365-7074  
 accuglassproducts.com

Notes:  
 1. DIMENSIONS SYMMETRICAL ABOUT CENTERLINES

**\* UNCONTROLLED WEB COPY \***

Material assembly	
Tolerances unless otherwise specified.	
.X ± .03	Angular: +/- .5°
.XX ± .01	Finish: Min. 63 Ra
.XXX ± .005	

Title: <b>PEEK-TB-1P</b> PEEK 1 POLE IN-LINE TERMINAL BLOCK			
Drawn By Date	CR 3/22/2012	DWG. NO. 111850	Rev. A
Approved	C M	Sheet 1 OF 1	