

1

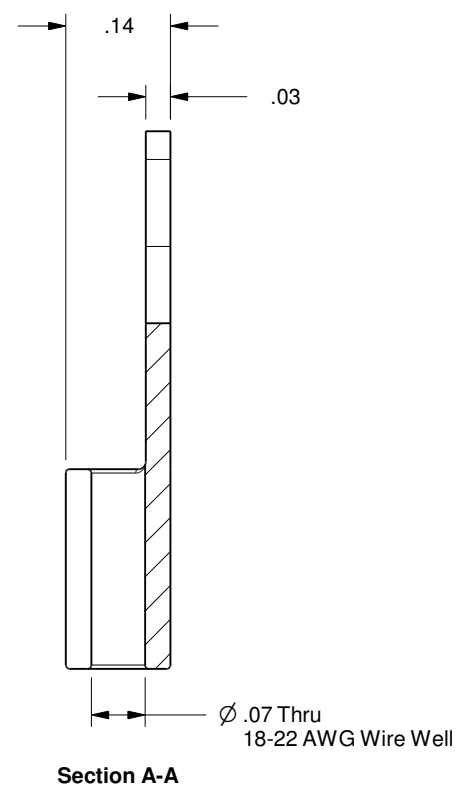
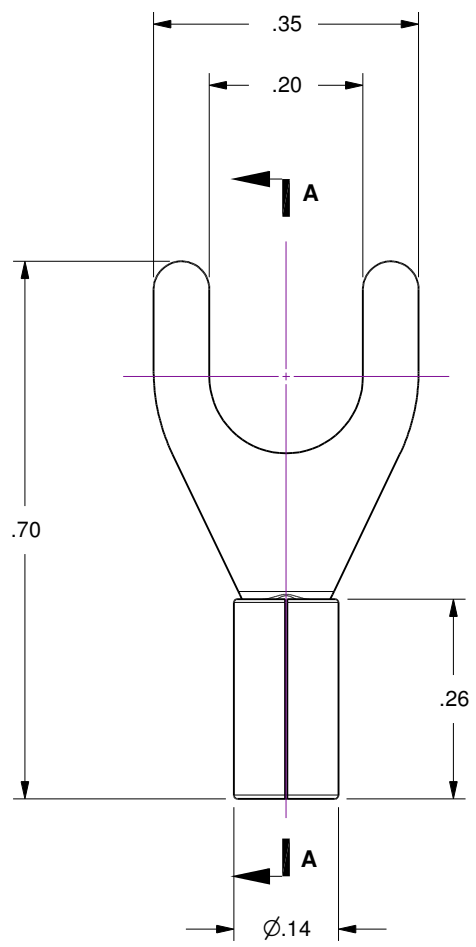
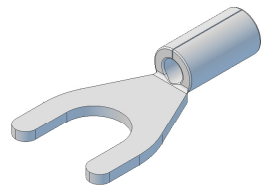
2

3

4

Notes

Rev	Description	Date
A	Initial Release	



UNCONTROLLED WEB DRAWING

Proprietary and Confidential
 The information contained in this drawing is the sole property of Accu-Glass, Products Inc. Any reproduction, in part or as whole, without the written permission of Accu-Glass Products, Inc., is strictly prohibited.

Material
 Nickel-Plated Steel, Gold Plated

Tolerances, unless otherwise specified		Title	
.X ± .030	Angles ± 0.5°	ST-1822-10	
.XX ± .010	Finish 63Ra	Drawn by	Farrell
.XXX ± .005		Date	3/27/2017
Approved		No.	111852
		Rev.	A
		Sheet	



Accu-Glass Products Inc.
 25047 Anza Drive
 Valencia, CA 91355
 T 818-365-4215
 F 818-365-7074
 www.accuglassproducts.com

A

B

C

D