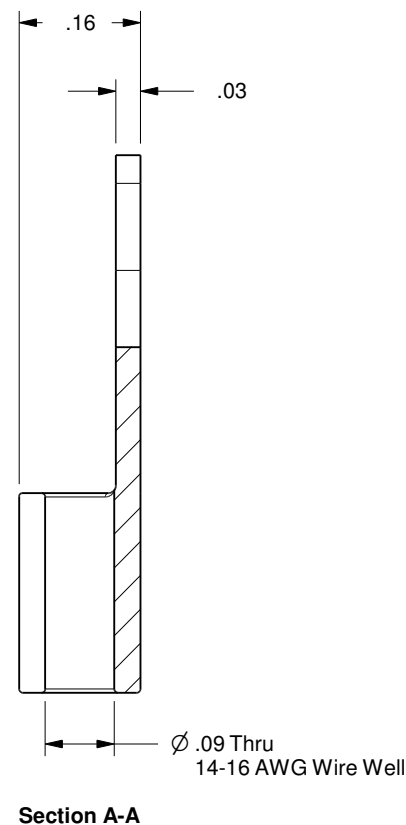
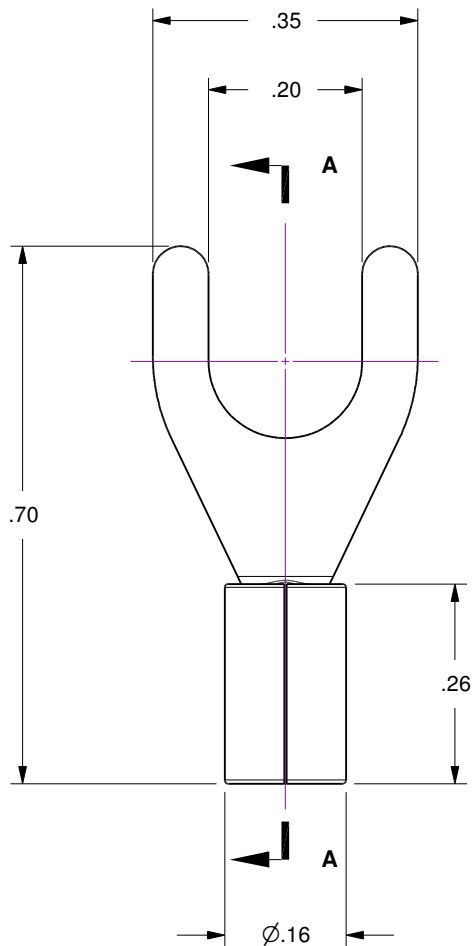
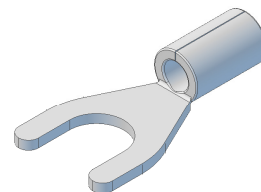


Notes

Rev	Description	Date
A	Initial Release	



**UNCONTROLLED WEB DRAWING**

Proprietary and Confidential  
 The information contained in this drawing is the sole property of Accu-Glass, Products Inc. Any reproduction, in part or as whole, without the written permission of Accu-Glass Products, Inc., is strictly prohibited.

Material  
 Nickel-Plated Steel, Gold Plated

Tolerances, unless otherwise specified	
.X ± .030	Angles ± 0.5° Finish 63Ra
.XX ± .010	
.XXX ± .005	

Title		ST-1416-10		Rev.
Drawn by	Farrell	No. <b>111853</b>	Date	<b>A</b>
Date	3/27/2017			
Approved				Sheet



**Accu-Glass Products Inc.**  
 25047 Anza Drive  
 Valencia, CA 91355  
 T 818-365-4215  
 F 818-365-7074  
 www.accuglassproducts.com

A

B

C

D