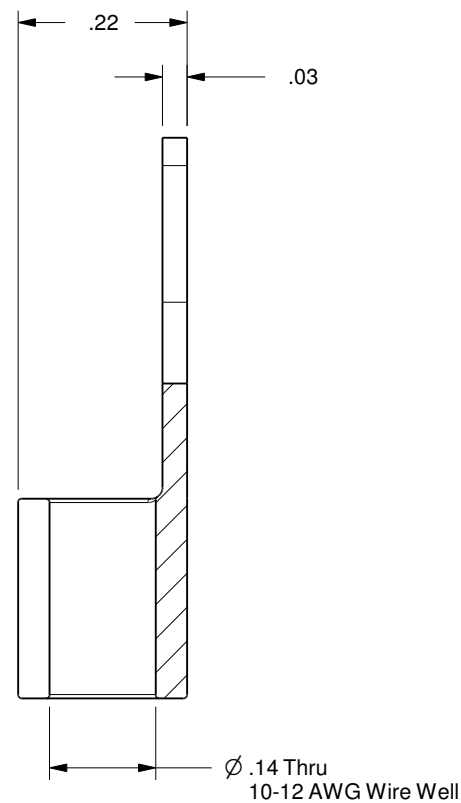
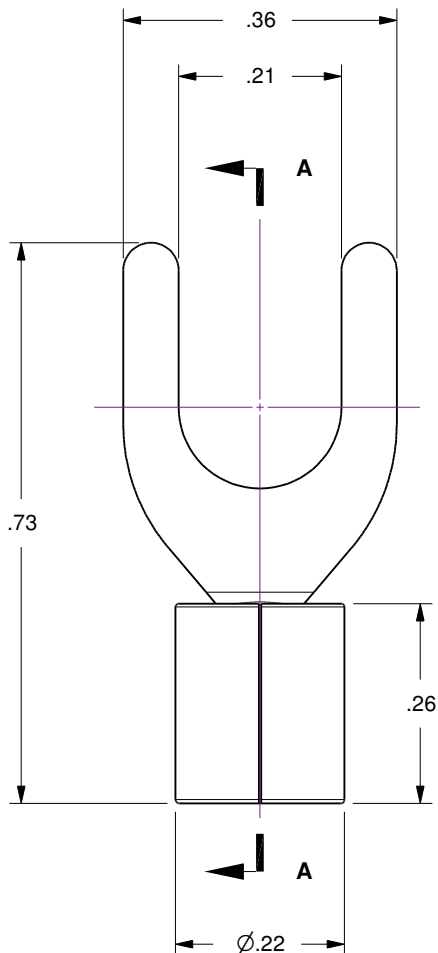
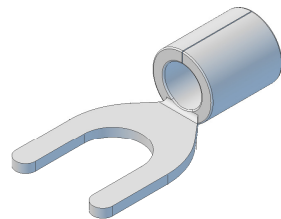


Notes

Rev	Description	Date
A	Initial Release	



Section A-A



Accu-Glass Products Inc.
 25047 Anza Drive
 Valencia, CA 91355
 T 818-365-4215
 F 818-365-7074
 www.accuglassproducts.com

UNCONTROLLED WEB DRAWING

Proprietary and Confidential
 The information contained in this drawing is the sole property of Accu-Glass, Products Inc. Any reproduction, in part or as whole, without the written permission of Accu-Glass Products, Inc., is strictly prohibited.

Material
 Nickel-Plated Steel, Gold Plated

Tolerances,
 unless otherwise specified

.X ± .030	Angles ± 0.5° Finish 63Ra
.XX ± .010	
.XXX ± .005	

Title		ST-1012-10		Rev.	
Drawn by	Farrell	No. 111854	Date	3/27/2017	A
Date					
Approved		Sheet			