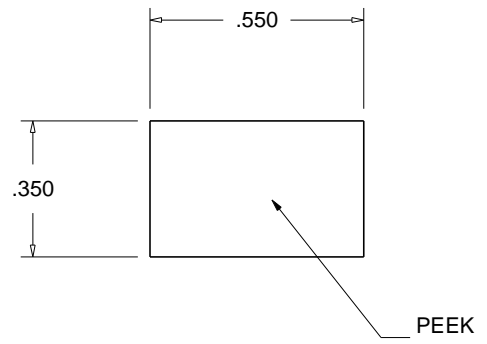
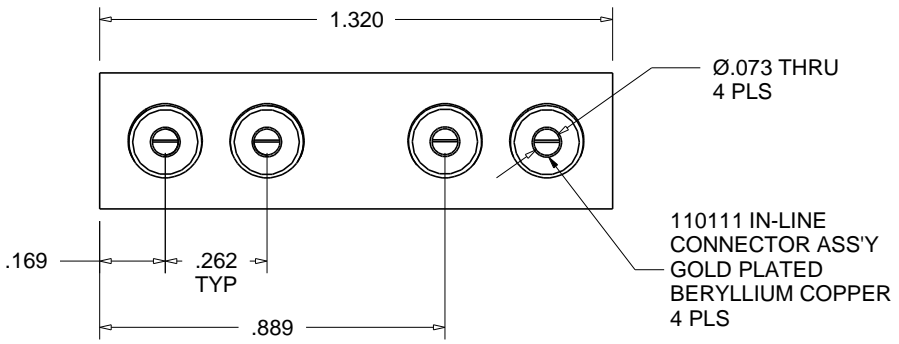
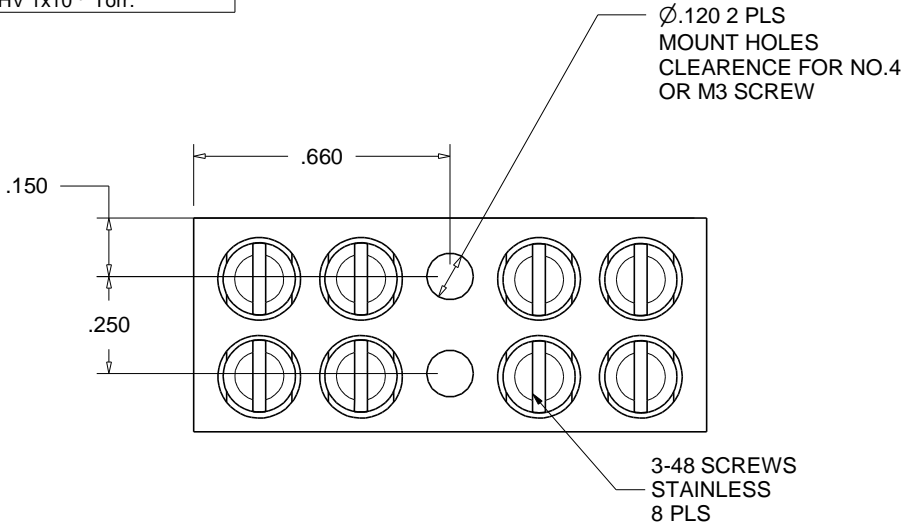
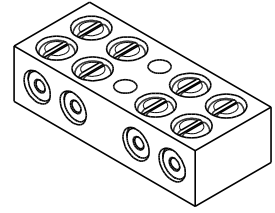


PROPRIETARY AND CONFIDENTIAL
 THE INFORMATION CONTAINED IN THIS DRAWING IS THE SOLE PROPERTY OF ACCU-GLASS PRODUCTS INC. ANY REPRODUCTION IN PART OR AS WHOLE WITHOUT THE WRITTEN PERMISSION OF ACCU-GLASS PRODUCTS INC. IS **PROHIBITED.**

Specifications	
Voltage	RATING TBD
Current	10A
Temperature	250° C MAX
Vacuum Level	UHV 1x10 ¹⁰ Torr.

Rev	Description	Date	Approved
A	INITIAL RELEASE		



Accu-Glass Products Inc.
 700 Arroyo Ave.
 San Fernando, CA 91340
 TEL 818-365-4215
 FAX 818-365-7074
 accuglassproducts.com

Notes:
 1. DIMENSIONS SYMMETRICAL ABOUT CENTERLINES

UNCONTROLLED WEB COPY

Material	
ASSEMBLY	
Tolerances unless otherwise specified.	
.X ± .03	Angular: +/- .5°
.XX ± .01	Finish: Min. 63 Ra
.XXX ± .005	

Title: PEEK TB-4P			
PEEK 4 POLE IN-LINE TERMINAL BLOCK			
Drawn By	CR	DWG. NO.	Rev. A
Date	121009	111855	
Approved	C M	SCALE 2:1	Sheet 1 OF 1