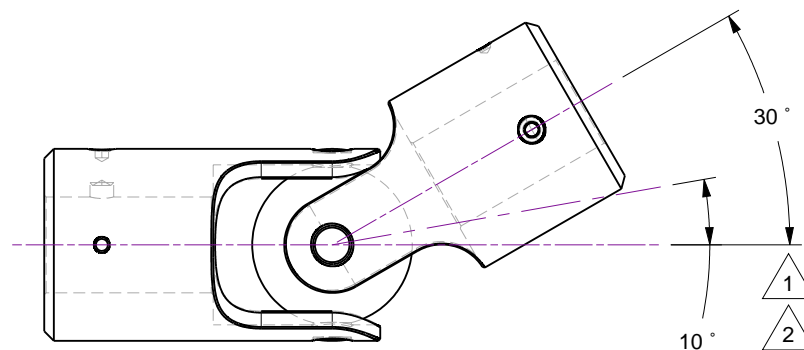
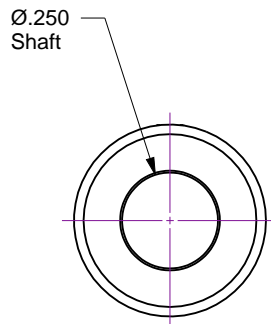
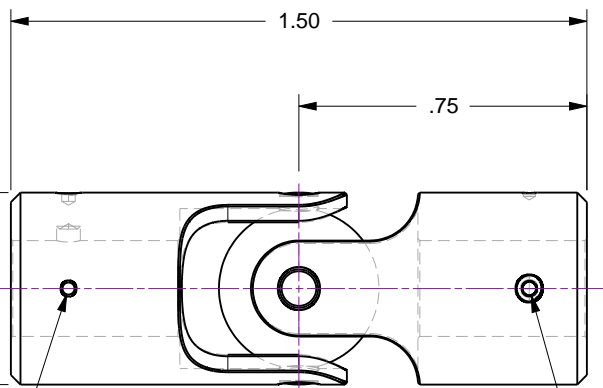
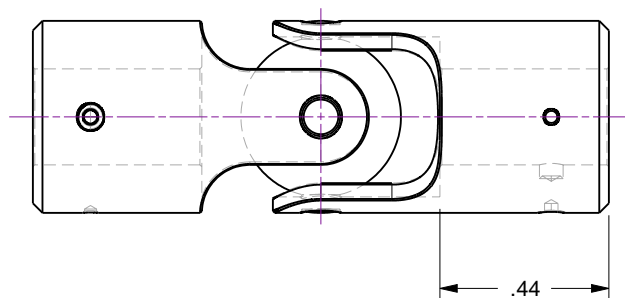
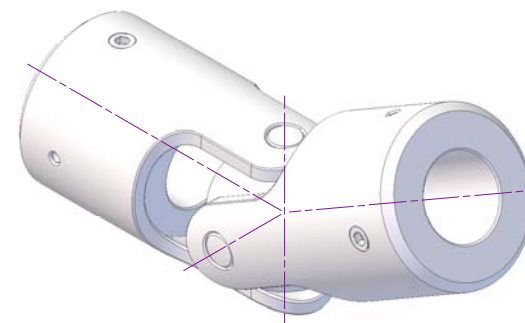


Notes

- 1. Maximum operating angle is 10° at higher speeds
- 2. Maximum operating angle is 30° at lower speeds.
- 3. Lubrication is required at all times. Use vacuum compatible lubricant if used inside vacuum chamber.

Rev	Description	Date
B	Remodeled	



2x Spot Drill

6-32 Set Screws Included



**Accu-Glass Products Inc.**  
 25047 Anza Drive  
 Valencia, CA 91355  
 T 818-365-4215  
 F 818-365-7074  
 www.accuglassproducts.com

**UNCONTROLLED WEB DRAWING**

Proprietary and Confidential  
 The information contained in this drawing is the sole property of Accu-Glass, Products Inc. Any reproduction, in part or as whole, without the written permission of Accu-Glass Products, Inc., is strictly prohibited.

Material Stainless Steel, 303	
Tolerances, unless otherwise specified	
.X ± .030	Angles ± 0.5°
.XX ± .010	Finish 63Ra
.XXX ± .005	

Title Universal Joint, .250 Shaft Dia.			
Drawn by Date	Ligeti 8/7/2014	No. <b>112013</b>	Rev. <b>B</b>
Approved			Sheet