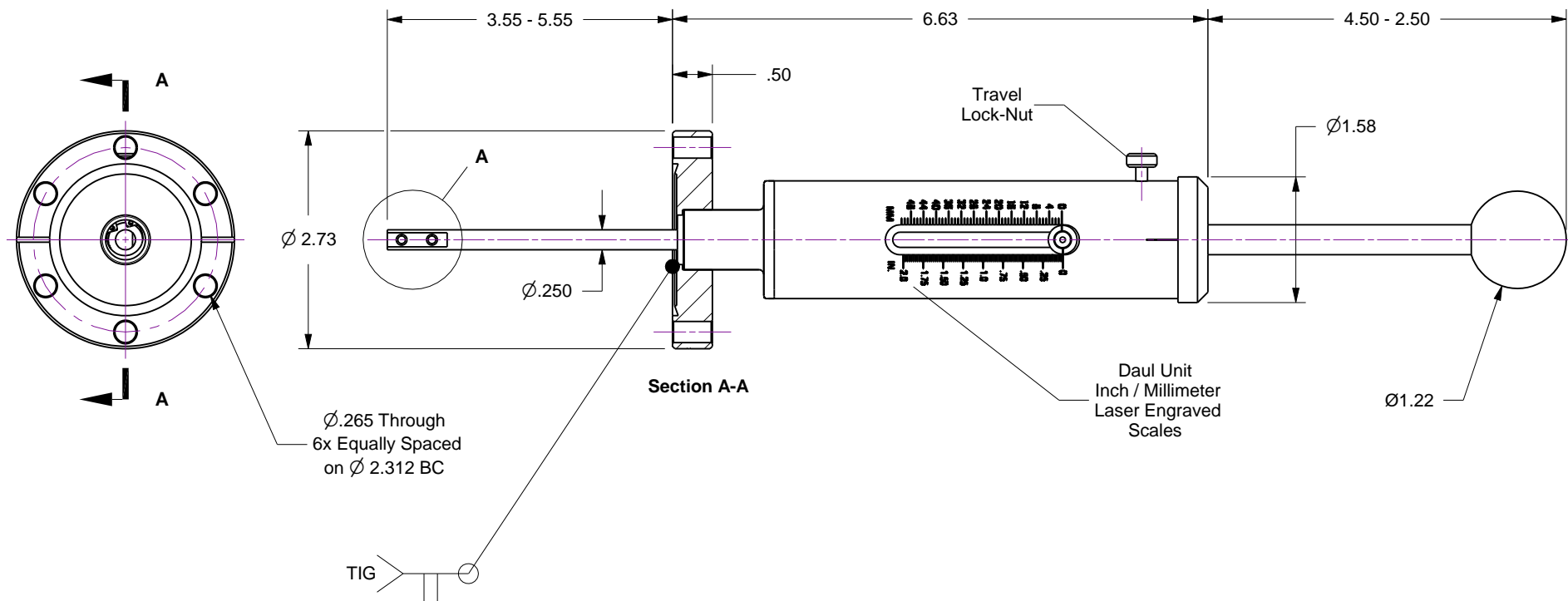
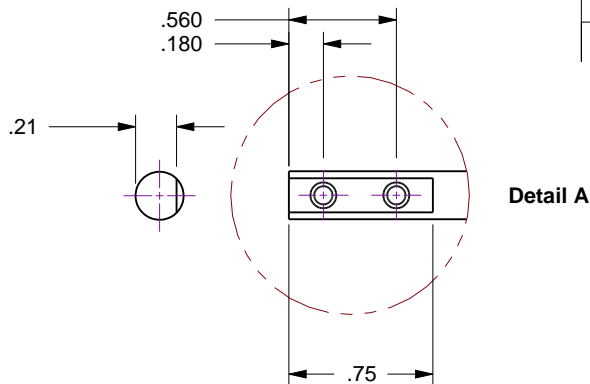


Notes

- 1. Leak test to 5x10E-10 Standard cc/sec of He.
- 2. Protect flange seal surface (knife-edge) from damage.
- 3. Black anodized aluminum body.
- 4. .025 Inch linear scale resolution (1mm on metric scale).

Rev	Description	Date
A	Initial Release	



Accu-Glass Products Inc.
 25047 Anza Drive
 Valencia, CA 91355
 T 818-365-4215
 F 818-365-7074
 www.accuglassproducts.com

UNCONTROLLED WEB DRAWING

Proprietary and Confidential
 The information contained in this drawing is the sole property of Accu-Glass, Products Inc. Any reproduction, in part or as whole, without the written permission of Accu-Glass Products, Inc., is strictly prohibited.

Material
 See Individual Components

Tolerances,
 unless otherwise specified

.X ± .030	Angles ± 0.5° Finish 63Ra
.XX ± .010	
.XXX ± .005	

Title Linear FT, 2" Push-Pull on 2.75 CF			
Drawn by Date	Ligeti 10/22/2013	No. 112053	Rev. A
Approved			Sheet