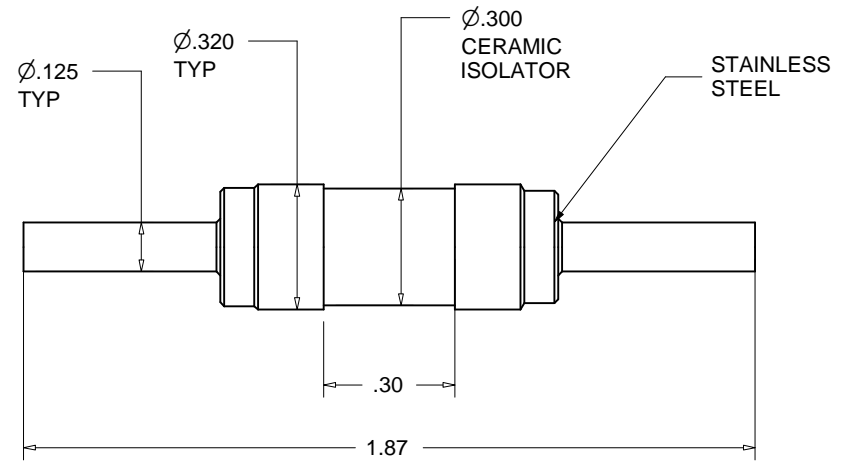
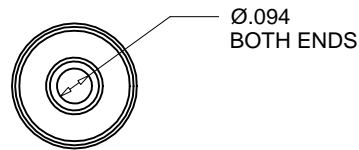
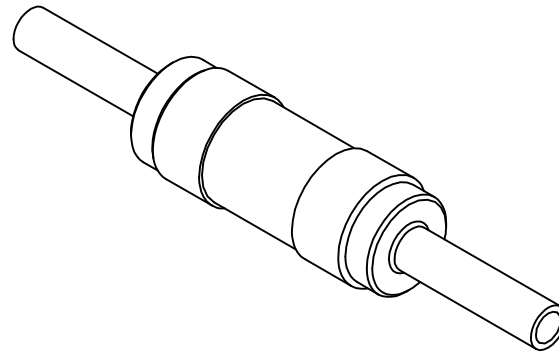


PROPRIETARY AND CONFIDENTIAL
 THE INFORMATION CONTAINED IN THIS
 DRAWING IS THE SOLE PROPERTY OF
 ACCU-GLASS PRODUCTS INC. ANY
 REPRODUCTION IN PART OR AS WHOLE
 WITHOUT THE WRITTEN PERMISSION OF
 ACCU-GLASS PRODUCTS INC. IS
PROHIBITED.

Rev	Description	Date	Approved



Accu-Glass Products Inc.
 25047 Anza Drive
 Valencia, CA 91355
 TEL 818-365-4215
 FAX 818-365-7074
 accuglassproducts.com

- Notes:
 1. MAXIMUM THERMAL GRADIENT OF 25° C PER MIN.
 2. MAX LINE PRESURE 15 PSIG

*** UNCONTROLLED WEB COPY ***

Material SEE ABOVE	
Tolerances unless otherwise specified.	
.X ± .03	Angular: +/- .5°
.XX ± .01	Finish: Min. 63 Ra
.XXX ± .005	

Title: 1/8 DIA. CRYOGENIC BREAK STAINLESS / CERAMIC			
Drawn By Date	CR 031809	DWG. NO. 112060	Rev. A
Approved	C M	PDFE	Sheet 1 OF 1