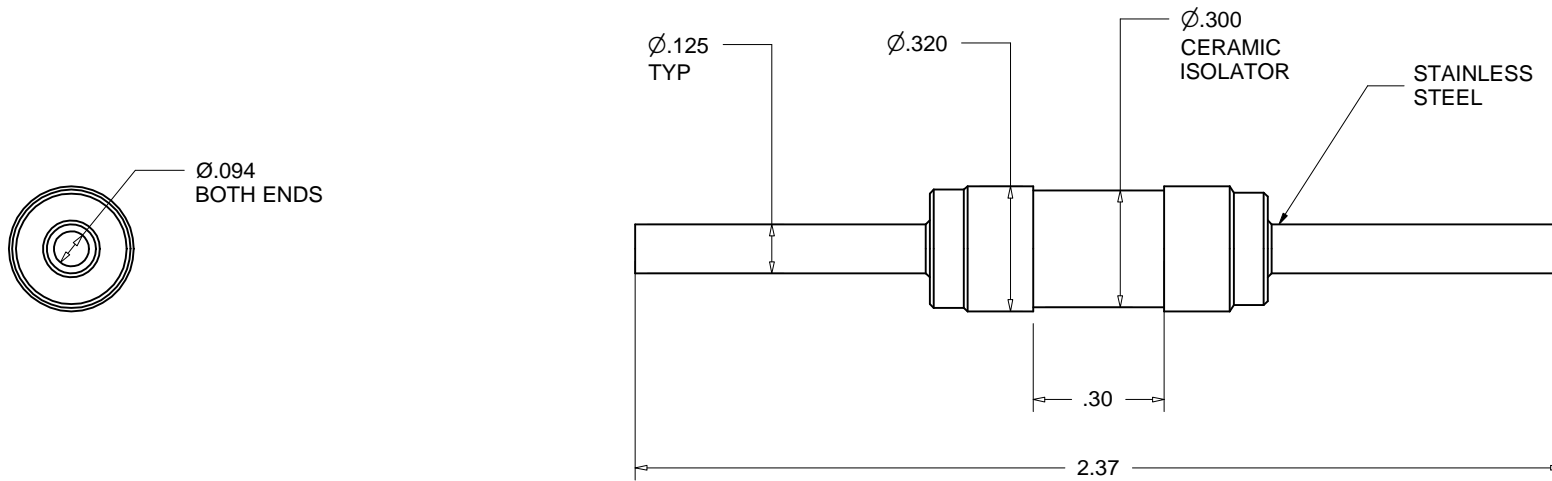
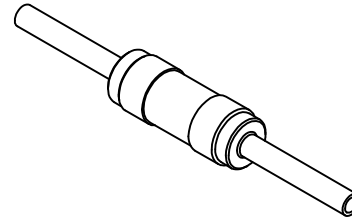


**PROPRIETARY AND CONFIDENTIAL**  
 THE INFORMATION CONTAINED IN THIS  
 DRAWING IS THE SOLE PROPERTY OF  
 ACCU-GLASS PRODUCTS INC. ANY  
 REPRODUCTION IN PART OR AS WHOLE  
 WITHOUT THE WRITTEN PERMISSION OF  
 ACCU-GLASS PRODUCTS INC. IS  
**PROHIBITED.**

Rev	Description	Date	Approved




Accu-Glass Products Inc.  
 25047 Anza Drive  
 Valencia, CA 91355  
 TEL 818-365-4215  
 FAX 818-365-7074  
 accuglassproducts.com

Notes:  
 1. MAXIMUM THERMAL GRADIENT OF 25° C PER MIN.  
 2. MAXIMUM LINE PRESURE 15 PSIG

**\* UNCONTROLLED WEB COPY\***

Material SEE ABOVE	
Tolerances unless otherwise specified.	
.X ± .03	Angular: +/- .5°
.XX ± .01	Finish: Min. 63 Ra
.XXX ± .005	

Title: <b>1/8 DIA CRYOGENIC BREAK STAINLESS / CERAMIC</b>			
Drawn By Date	CR 031809	DWG. NO. <b>112061</b>	Rev. <b>A</b>
Approved	C M	PDFE	Sheet 1 OF 1