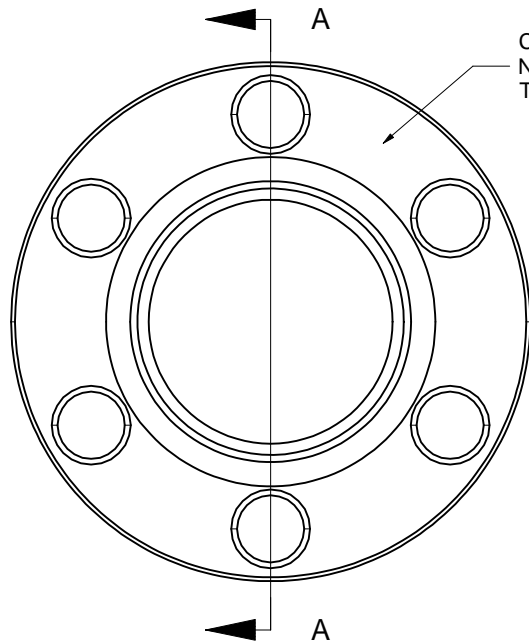
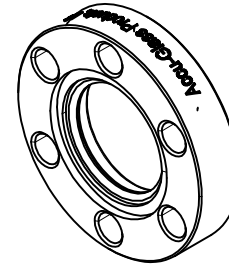
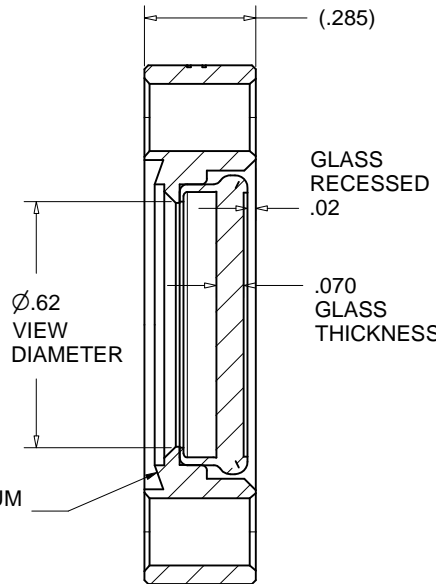


PROPRIETARY AND CONFIDENTIAL
 THE INFORMATION CONTAINED IN THIS
 DRAWING IS THE SOLE PROPERTY OF
 ACCU-GLASS PRODUCTS INC. ANY
 REPRODUCTION IN PART OR AS WHOLE
 WITHOUT THE WRITTEN PERMISSION OF
 ACCU-GLASS PRODUCTS INC. IS
PROHIBITED.

Rev	Description	Date	Approved

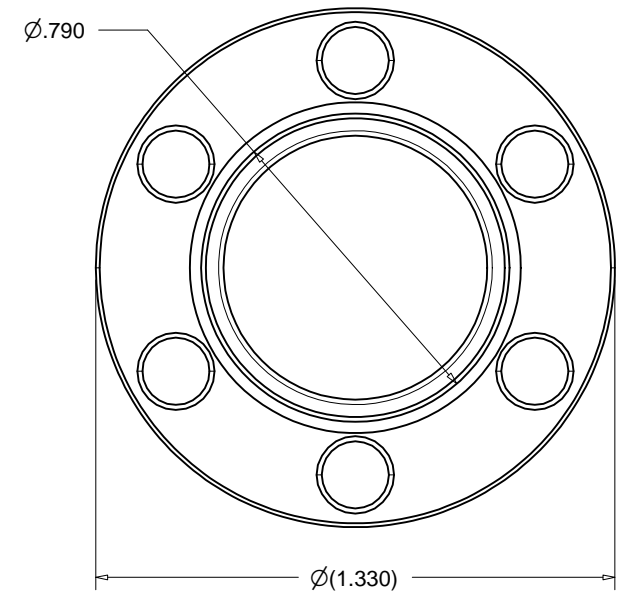


CF 1.33 FLANGE
 NON-ROTATABLE
 THROUGH HOLES



Section A-A

VACUUM
 SIDE



Accu-Glass Products Inc.
 25047 Anza Drive
 Valencia, CA 91355
 TEL 818-365-4215
 FAX 818-365-7074
 accuglassproducts.com

Notes:

*** UNCONTROLLED WEB COPY ***

Material

Tolerances unless otherwise
 specified.

.X ± .03	Angular: +/- .5°
.XX ± .01	Finish: Min. 63 Ra
.XXX ± .005	

Title: **VPG-.6-133 CF 1.33 FLANGE WITH
 .62 VIEW DIA VIEW PORT**

Drawn By Date	CR 021009	DWG. NO.	112401	Rev.	
Approved	C M	PDFE		Sheet	1 OF 1