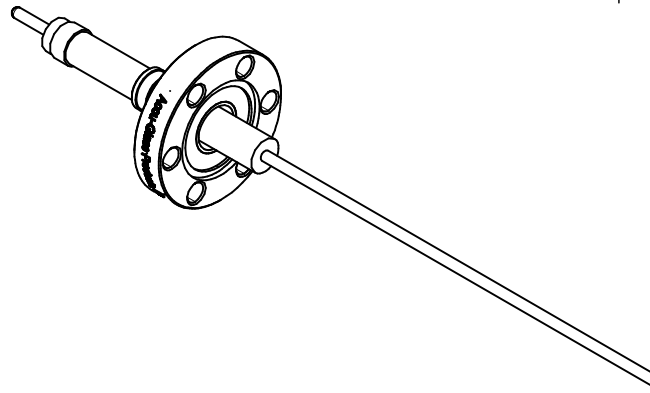
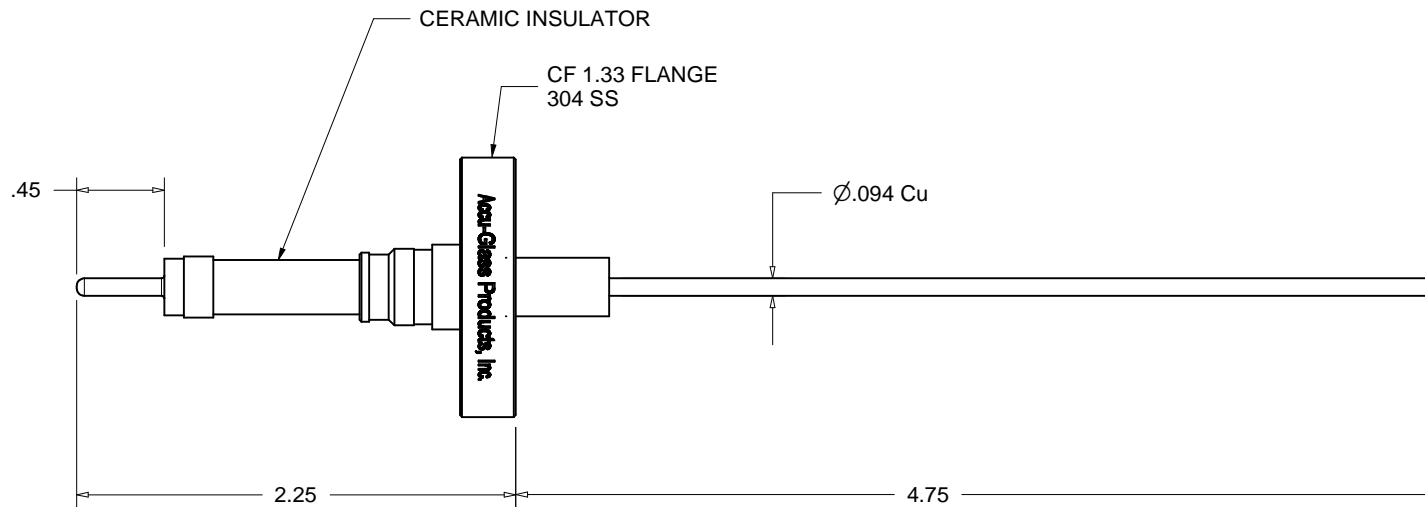


PROPRIETARY AND CONFIDENTIAL
 THE INFORMATION CONTAINED IN THIS
 DRAWING IS THE SOLE PROPERTY OF
 ACCU-GLASS PRODUCTS INC. ANY
 REPRODUCTION IN PART OR AS WHOLE
 WITHOUT THE WRITTEN PERMISSION OF
 ACCU-GLASS PRODUCTS INC. IS
PROHIBITED.

Rev	Description	Date	Approved



1. 20 KVDC 30 AMP RATED



Accu-Glass Products Inc.
 700 Arroyo Ave.
 San Fernando, CA 91340
 TEL 818-365-4215
 FAX 818-365-7074
 accuglassproducts.com

Notes:

*** UNCONTROLLED WEB COPY ***

Material NOTED ABOVE	
Tolerances unless otherwise specified.	
.X ± .03	Angular: +/- .5°
.XX ± .01	Finish: Min. 63 Ra
.XXX ± .005	

Title: HP-SIII-133 HIGH POWER, STYLE III MOUNTED ON CF 1.33			
Drawn By Date	CR 102908	DWG. NO. 112470	Rev. A
Approved			Sheet