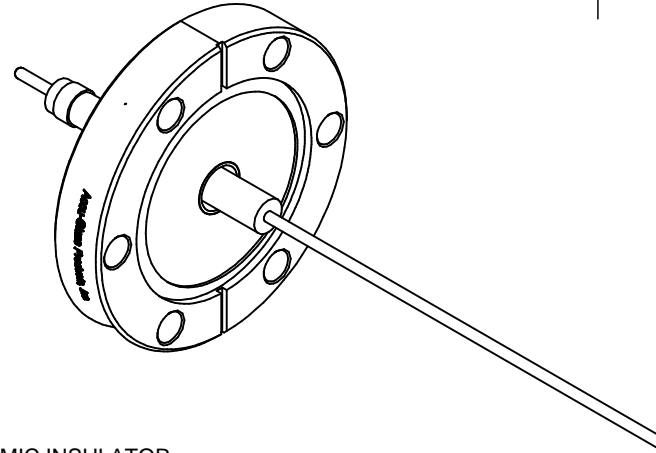
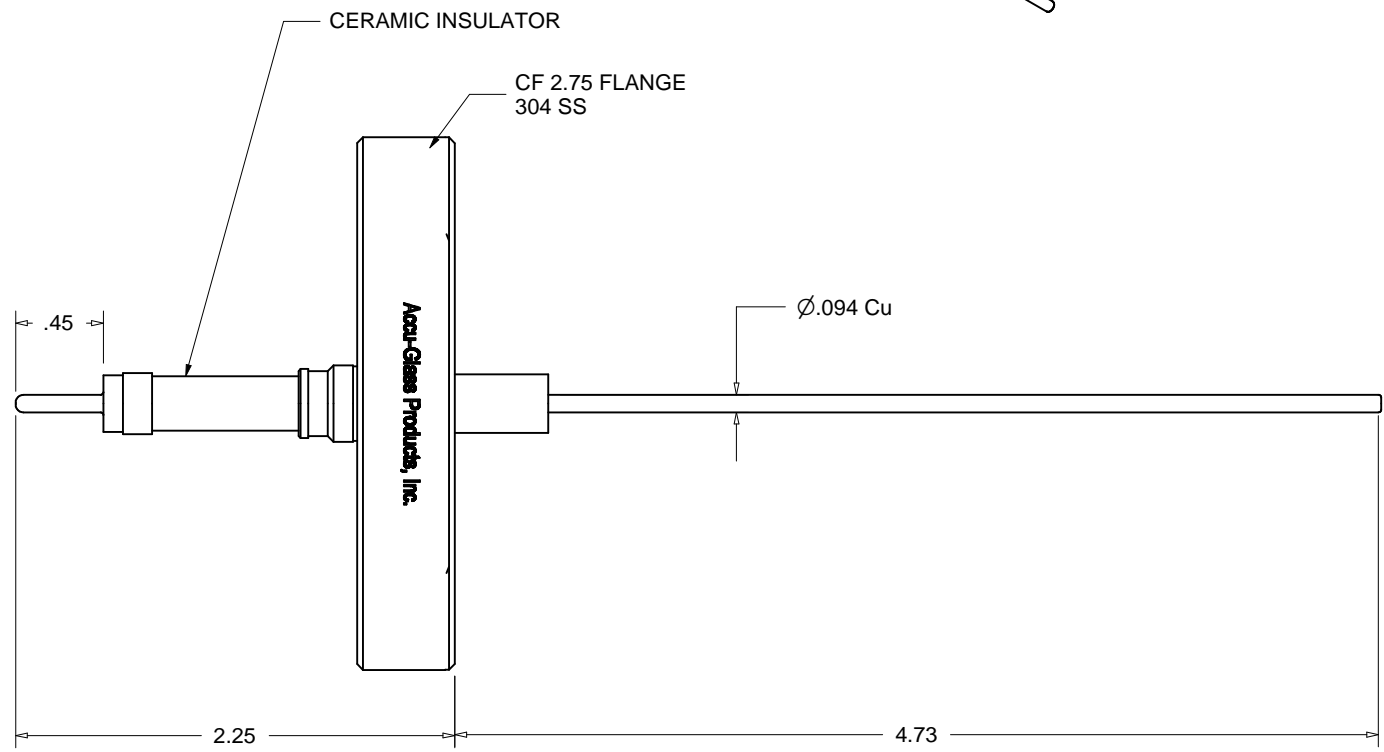


**PROPRIETARY AND CONFIDENTIAL**  
 THE INFORMATION CONTAINED IN THIS  
 DRAWING IS THE SOLE PROPERTY OF  
 ACCU-GLASS PRODUCTS INC. ANY  
 REPRODUCTION IN PART OR AS WHOLE  
 WITHOUT THE WRITTEN PERMISSION OF  
 ACCU-GLASS PRODUCTS INC. IS  
**PROHIBITED.**

| Rev | Description | Date | Approved |
|-----|-------------|------|----------|
|     |             |      |          |



1. 20 kVDC 30 AMPS RATED



Accu-Glass Products Inc.  
 700 Arroyo Ave.  
 San Fernando, CA 91340  
 TEL 818-365-4215  
 FAX 818-365-7074  
 accuglassproducts.com

Notes:  
**\* UNCONTROLLED WEB COPY \***

|  |                       |
|--|-----------------------|
| Material<br>NOTED ABOVE                |                       |
| Tolerances unless otherwise specified. |                       |
| .X ± .03                               | Angular:<br>+/- .5°   |
| .XX ± .01                              | Finish:<br>Min. 63 Ra |
| .XXX ± .005                            |                       |

|  |           |                        |               |
|--|-----------|------------------------|---------------|
| Title: <b>HP-SIII-275</b><br>HIGH POWER, STYLE III MOUNTED CF 2.75 |           |                        |               |
| Drawn By<br>Date   | CR 102308 | DWG. NO. <b>112474</b> | Rev. <b>A</b> |
| Approved   |           |                        | Sheet         |