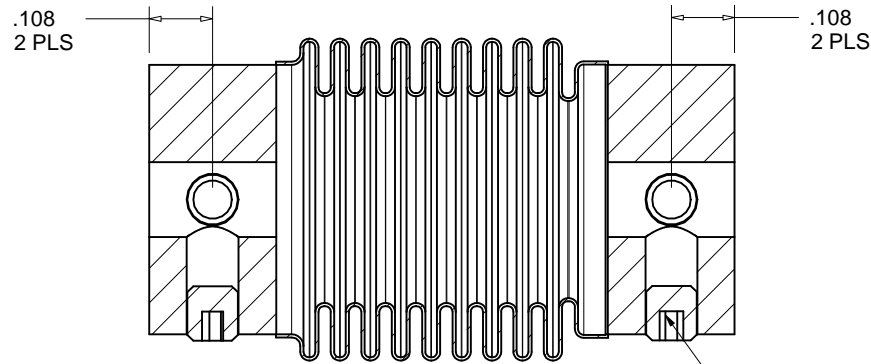


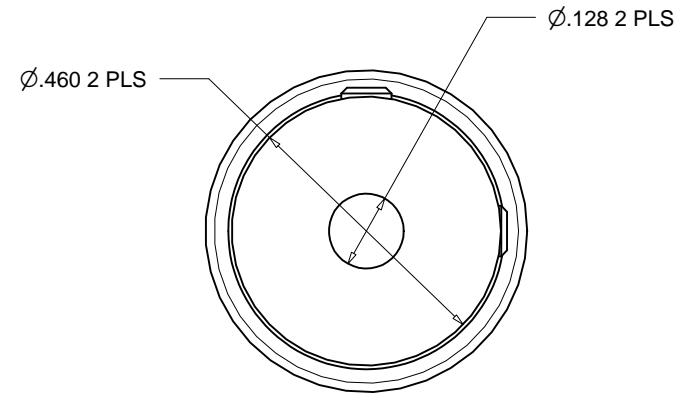
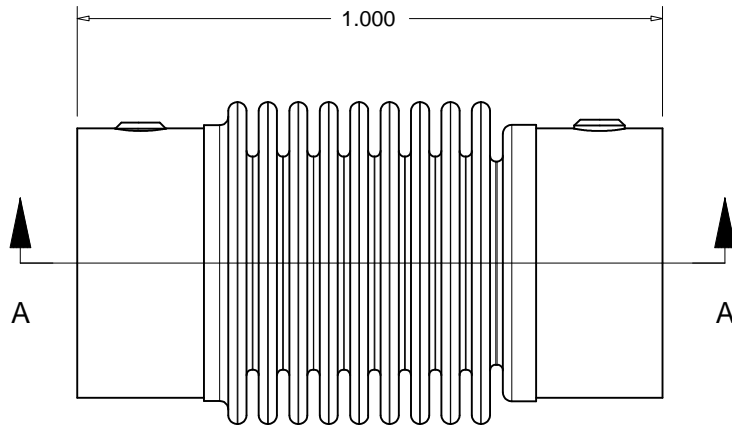
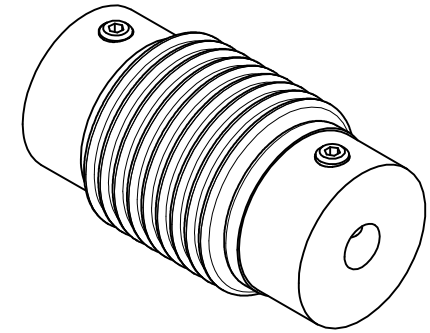
**PROPRIETARY AND CONFIDENTIAL**  
 THE INFORMATION CONTAINED IN THIS  
 DRAWING IS THE SOLE PROPERTY OF  
 ACCU-GLASS PRODUCTS INC. ANY  
 REPRODUCTION IN PART OR AS WHOLE  
 WITHOUT THE WRITTEN PERMISSION OF  
 ACCU-GLASS PRODUCTS INC. IS  
**PROHIBITED.**

Rev	Description	Date	Approved



Section A-A

4-40 SET SCREW  
 .125 LG. .050 HEX  
 STAINLESS STEEL  
 4 REQ'D AS SHOWN



Accu-Glass Products Inc.  
 25047 Anza Drive  
 Valencia, CA 91355  
 TEL 818-365-4215  
 FAX 818-365-7074  
 accuglassproducts.com

Notes:

**\*UNCONTROLLED WEB COPY\***

Material STAINLESS	
Tolerances unless otherwise specified.	
.X ± .03	Angular: +/- .5°
.XX ± .01	Finish: Min. 63 Ra
.XXX ± .005	

Title: <b>COUPLING, BELLOWS, STAINLESS STEEL FOR 1/8 SHAFT</b>			
Drawn By Date	CR 020409	DWG. NO. 112533	Rev. A
Approved	C M	PDFE	Sheet 1 OF 1