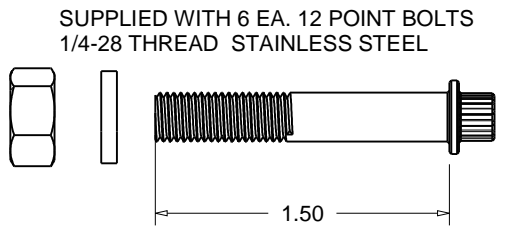
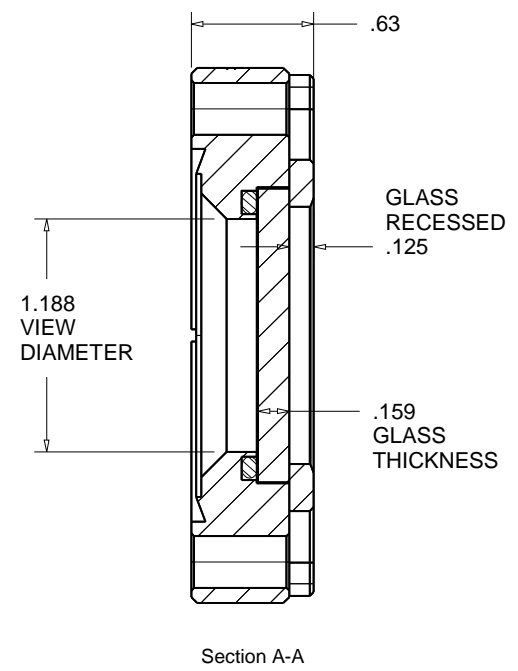
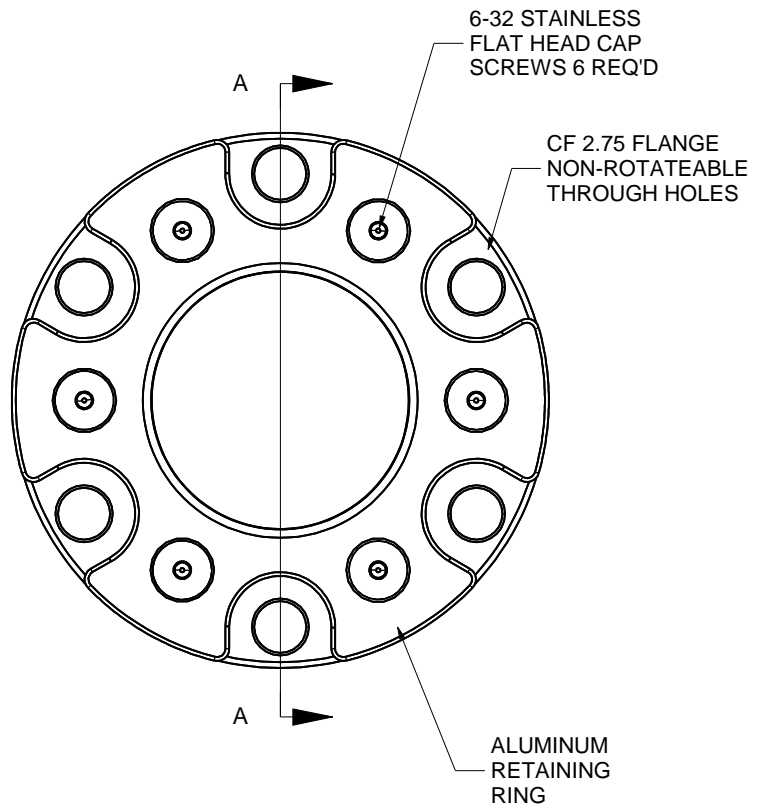


**PROPRIETARY AND CONFIDENTIAL**  
 THE INFORMATION CONTAINED IN THIS DRAWING IS THE SOLE PROPERTY OF ACCU-GLASS PRODUCTS INC. ANY REPRODUCTION IN PART OR AS WHOLE WITHOUT THE WRITTEN PERMISSION OF ACCU-GLASS PRODUCTS INC. IS **PROHIBITED.**

Rev	Description	Date	Approved
A	INITIAL RELEASE		



Notes:  
 1. No detectable leaks @ 5x10<sup>-10</sup> cc/s He.

**\* UNCONTROLLED WEB COPY \***

Material	
Tolerances unless otherwise specified.	
.X ± .03	Angular: +/- .5°
.XX ± .01	Finish: Min. 63 Ra
.XXX ± .005	

Title: VPD-1.19-275			
CF 2.75 DEMOUNTABLE VIEW PORT ASS'Y			
Drawn By	CR 022509	DWG. NO.	112667
Date		Rev.	A
Approved	C M	PDFE	Sheet 1 OF 1

Accu-Glass Products Inc.  
 25047 Anza Drive  
 Valencia, CA 91355  
 TEL 818-365-4215  
 FAX 818-365-7074  
 accuglassproducts.com