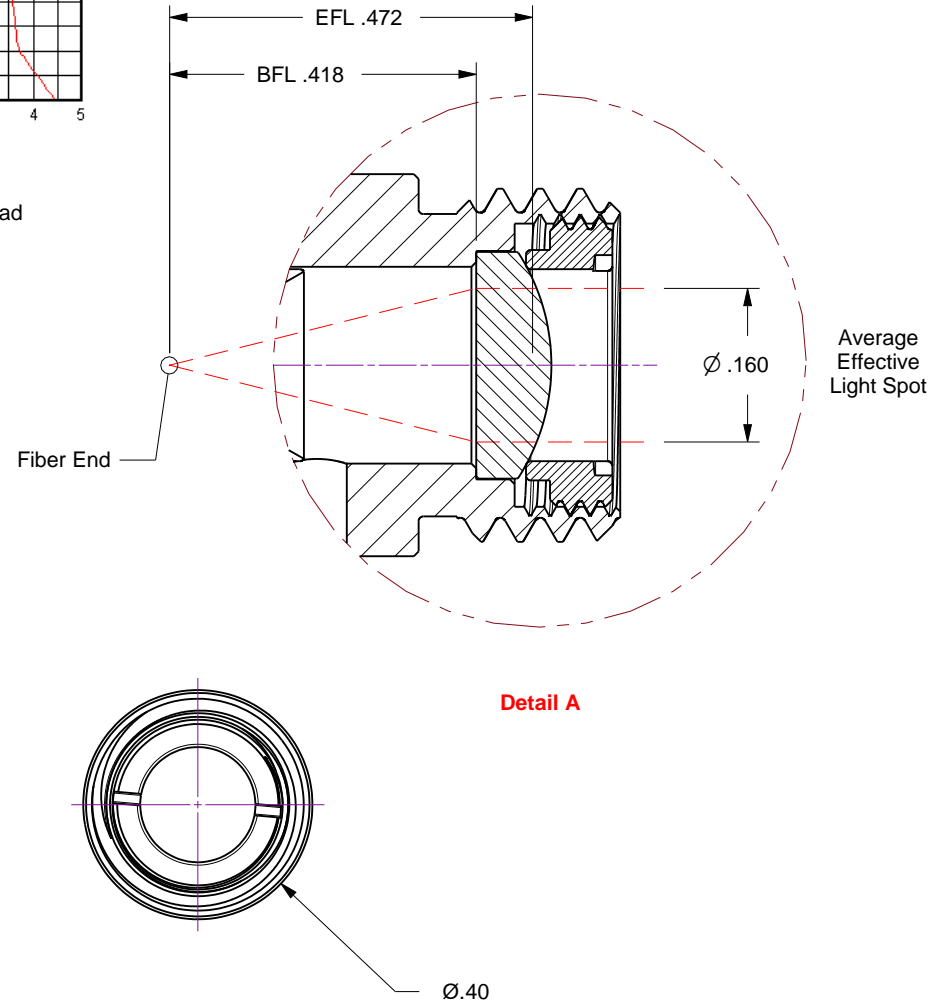
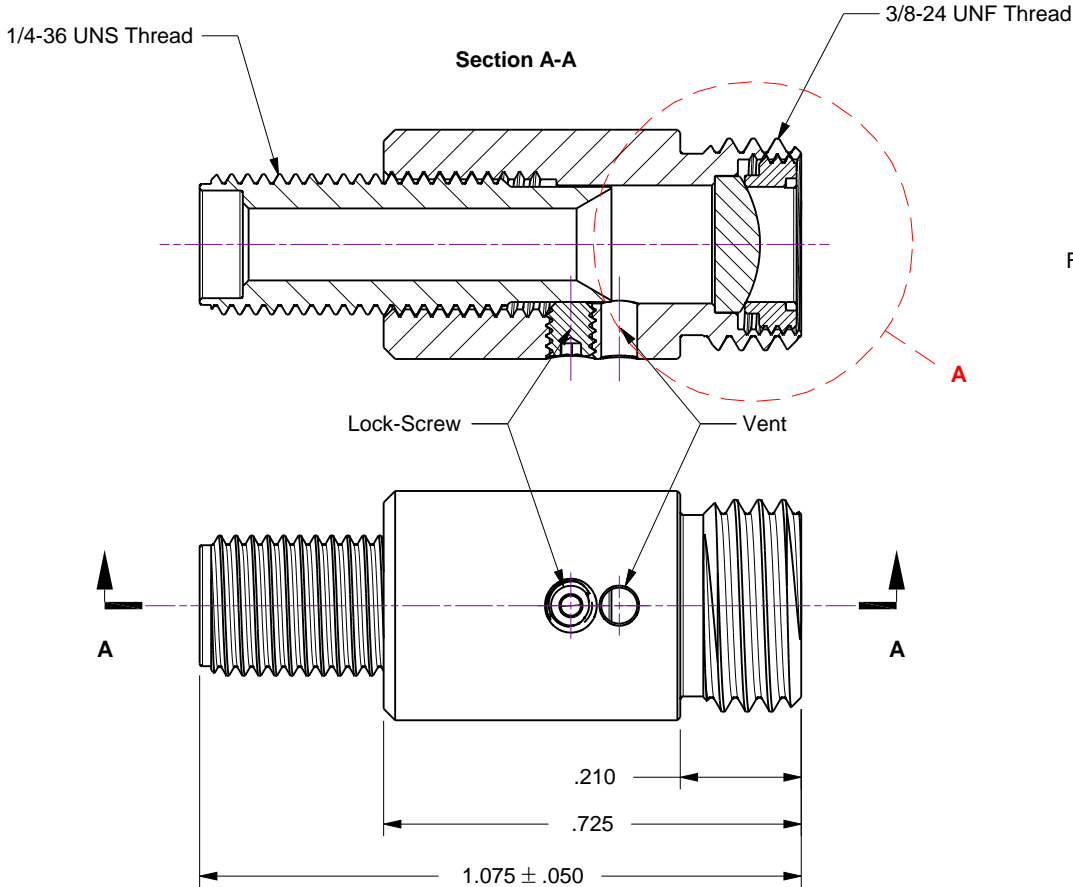
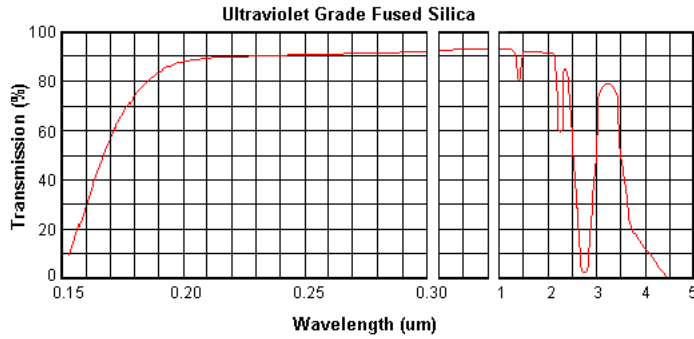


Notes

- 1. Dimensions symmetrical about center lines
- 2. EFL = Effective Focal Length
- 3. BFL = Back Focal Length

Rev	Description	Date



Accu-Glass Products Inc.
 25047 Anza Drive
 Valencia, CA 91355
 T 818-365-4215
 F 818-365-7074
 www.accuglassproducts.com

UNCONTROLLED WEB DRAWING

Proprietary and Confidential
 The information contained in this drawing is the sole property of Accu-Glass, Products Inc. Any reproduction, in part or as whole, without the written permission of Accu-Glass Products, Inc., is strictly prohibited.

Material	
Tolerances, unless otherwise specified	
.X ± .030	Angles ± 0.5°
.XX ± .010	Finish 63Ra
.XXX ± .005	

Title			
1/4 Inch Fused Silica Collimator			
Drawn by	Ligeti	No.	112689
Date	4/6/2017		
Approved			Rev. B
			Sheet