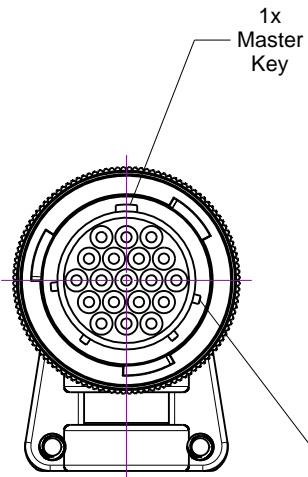
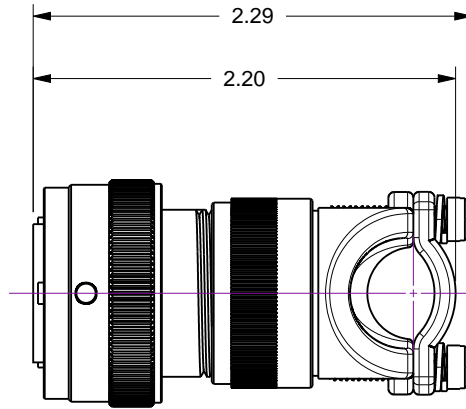
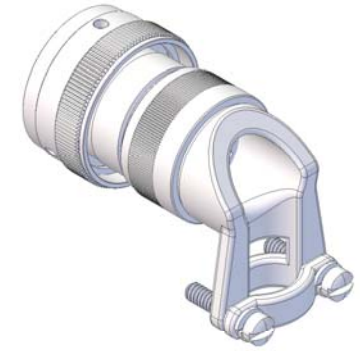


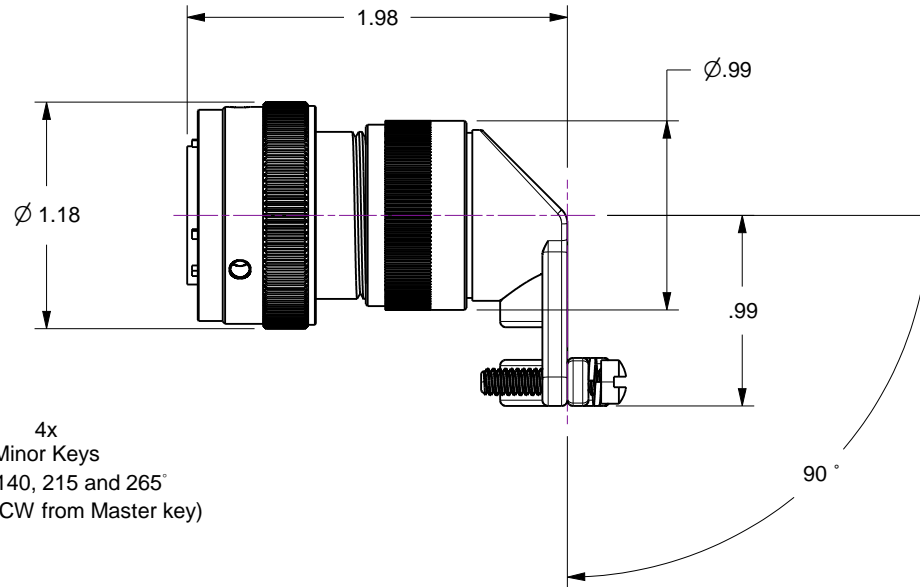
Notes

- 1. 19-Pin, Mil-C-26482 circular connector with 90-degree strain relief.
- 2. Electroless-Nickel-plated Aluminum.

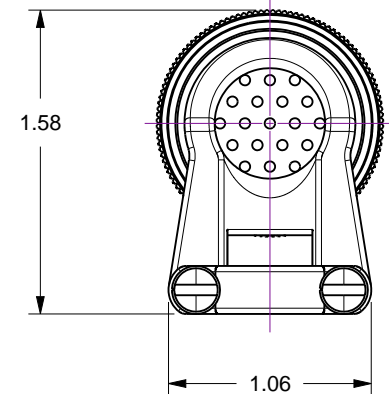
Rev	Description	Date
A	Initial Release	



1x
Master
Key



4x
Minor Keys
at 105, 140, 215 and 265°
(measured CW from Master key)



Accu-Glass Products Inc.
25047 Anza Drive
Valencia, CA 91355
T 818-365-4215
F 818-365-7074
www.accuglassproducts.com

UNCONTROLLED WEB DRAWING

Proprietary and Confidential
The information contained in this drawing is the sole property of Accu-Glass, Products Inc. Any reproduction, in part or as whole, without the written permission of Accu-Glass Products, Inc., is strictly prohibited.

Material See Note 2	
Tolerances, unless otherwise specified	
.X ± .030	Angles ± 0.5° Finish 63Ra
.XX ± .010 .XXX ± .005	

Title Connector, 90° Circular 19-Pin Mil-C-26482			
Drawn by Date	Ligeti 10/20/2014	No. 112702	Rev. A
Approved			Sheet