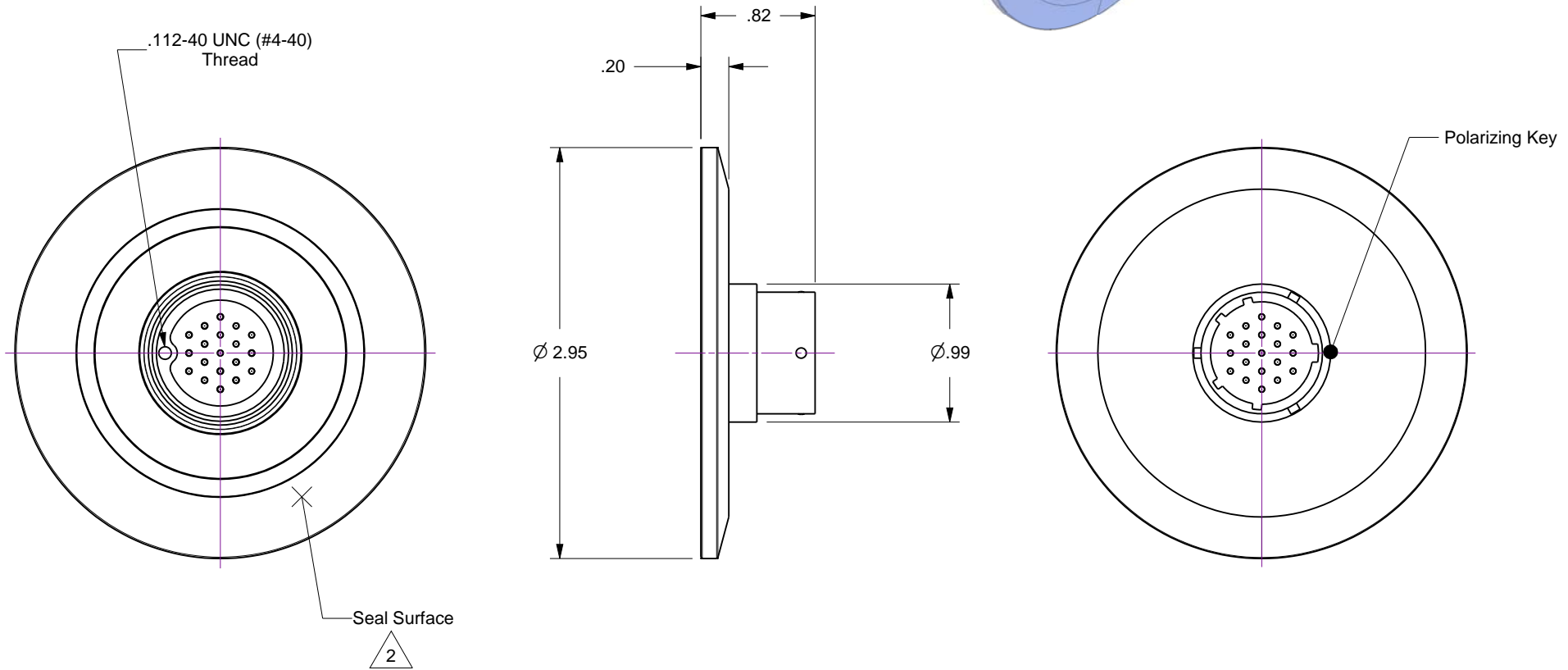
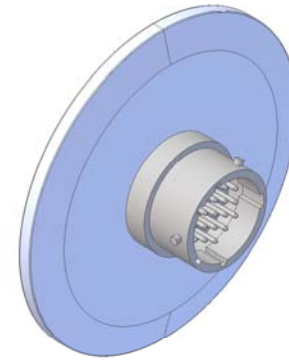


Notes

- 1. Leak test to 5x10E-10 Standard cc/sec of He.
- 2. Protect O-ring seal surfaces from damage.
- 3. Air-side bayonet connector interface is per Mil-C-26482 Specification

Rev	Description	Date
A	Initial Release	



Accu-Glass Products Inc.
 25047 Anza Drive
 Valencia, CA 91355
 T 818-365-4215
 F 818-365-7074
 www.accuglassproducts.com

UNCONTROLLED WEB DRAWING

Proprietary and Confidential
 The information contained in this drawing is the sole property of Accu-Glass, Products Inc. Any reproduction, in part or as whole, without the written permission of Accu-Glass Products, Inc., is strictly prohibited.

Material
 See Individual Components

Tolerances,
 unless otherwise specified

.X ± .030	Angles ± 0.5° Finish 63Ra
.XX ± .010	
.XXX ± .005	

Title
19-Pin FT, Mil-C-26482 Circular on ISO NW50 KF Flange

Drawn by Date	Ligeti 10/7/2014	No. 113095	Rev. A
Approved		Sheet	