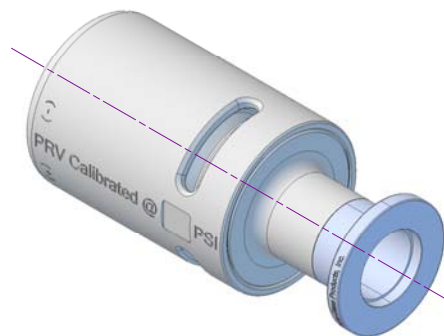


Notes

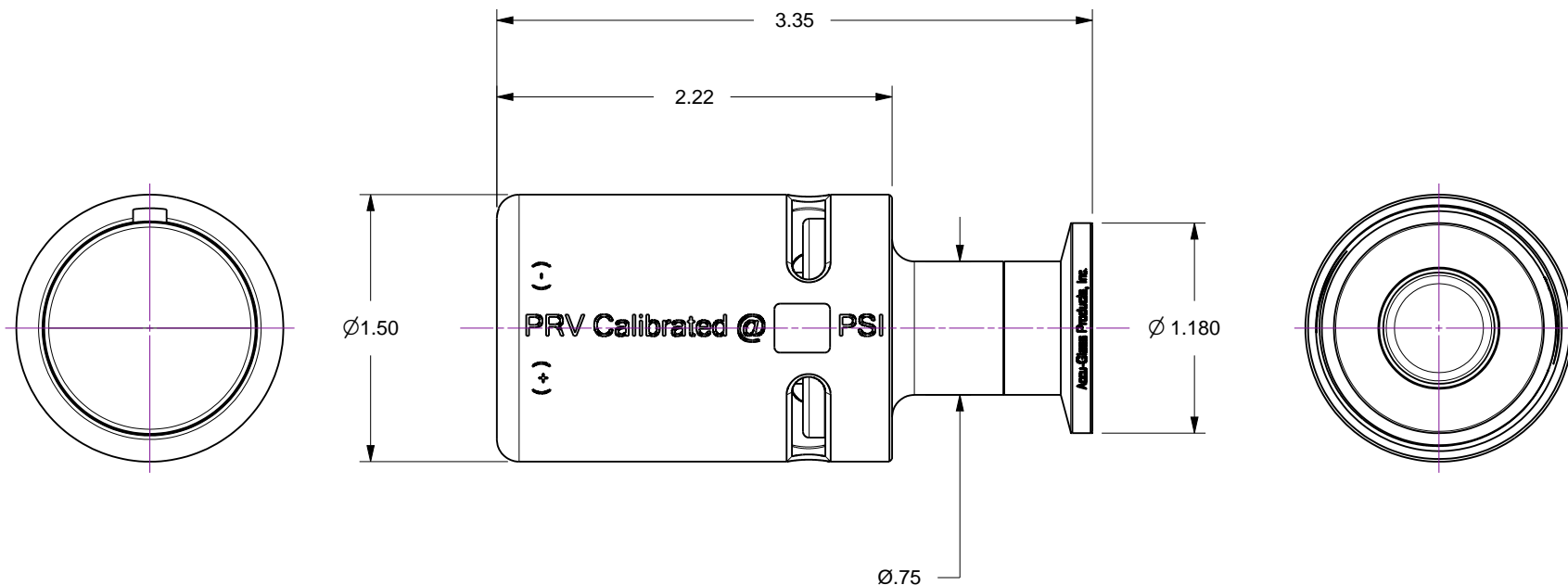
- 1. Factory calibrated for 2 PSI (lower pressure calibration available on request)
- 2. Leak tested to 5x10E-10 Standard cc/sec of He

Rev	Description	Date
A	Initial Release	

Flow Rate (SCFM)	* PRV Inlet Pressure (PSIG)
6.21	2.32
9.37	2.61
15.83	3.53
20.63	4.18
25.95	5.11
31.40	6.14



*Inlet pressure calculated at Albuquerque, NM altitude (12.1 psia)



Accu-Glass Products Inc.
 25047 Anza Drive
 Valencia, CA 91355
 T 818-365-4215
 F 818-365-7074
 www.accuglassproducts.com

UNCONTROLLED WEB DRAWING

Proprietary and Confidential
 The information contained in this drawing is the sole property of Accu-Glass, Products Inc. Any reproduction, in part or as whole, without the written permission of Accu-Glass Products, Inc., is strictly prohibited.

Material See Individual Components	
Tolerances, unless otherwise specified	
.X ± .030	Angles ± 0.5° Finish 63Ra
.XX ± .010	
.XXX ± .005	

Title Valve, 2 PSI Pressure Relief... ISO NW16 KF			
Drawn by Date	Ligeti 5/4/2016	No. 113155	Rev. A
Approved			Sheet