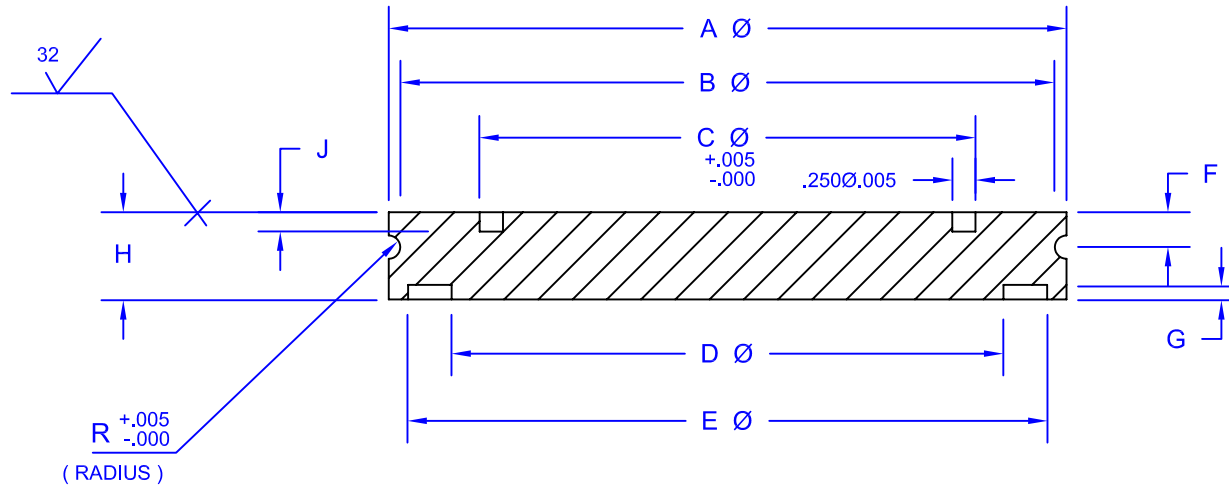


REVISIONS			
REV	DESCRIPTION	DATE	APPROVED



PART NO.	MODEL NO.	ISO REF.	A	B	C	D	E	F	G	H	J	R
202050	LF63-000	NW63	3.740	3.615	2.756	3.150	3.540	.197	.085	.470	.110	.062
202060	LF80-000	NW80	4.330	4.202	3.280	3.700	4.130	.197	.085	.470	.110	.062
202070	LF100-000	NW100	5.120	4.996	4.016	4.528	4.921	.197	.085	.470	.110	.062
202080	LF160-000	NW160	7.090	6.884	6.024	6.496	6.890	.197	.085	.470	.110	.103
202090	LF200-000	NW200	9.450	9.244	8.386	8.858	9.250	.197	.085	.470	.110	.103
202100	LF250-000	NW250	11.420	11.214	10.280	10.827	11.220	.197	.085	.470	.110	.103
202110	LF320-000	NW320	14.570	14.365	12.520	13.976	14.370	.295	.085	.670	.187	.103
202120	LF400-000	NW400	17.720	17.406	15.750	17.125	17.520	.295	.085	.670	.187	.157
202130	LF500-000	NW500	21.650	21.336	19.724	21.063	21.457	.295	.085	.670	.187	.157



Accu-Glass Products Inc.
25047 Anza Drive
Valencia, CA 91355
TEL 818-365-4215
FAX 818-365-7074
accuglassproducts.com

Notes

*** UNCONTROLLED WEB COPY ***

Finish 63 ✓

Material
304 SS

Tolerances unless otherwise specified
Decimal .xx= +/- .005
.xxx= +/- .002
Angular +/- 1°

Title

ISO LF Flange Data

Drawn By	M.Wilson	DWG NO.	A0020	Date	8-2-07
Approved		PDFE	SHEET		