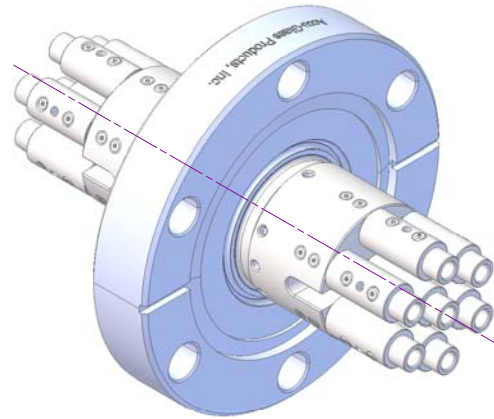


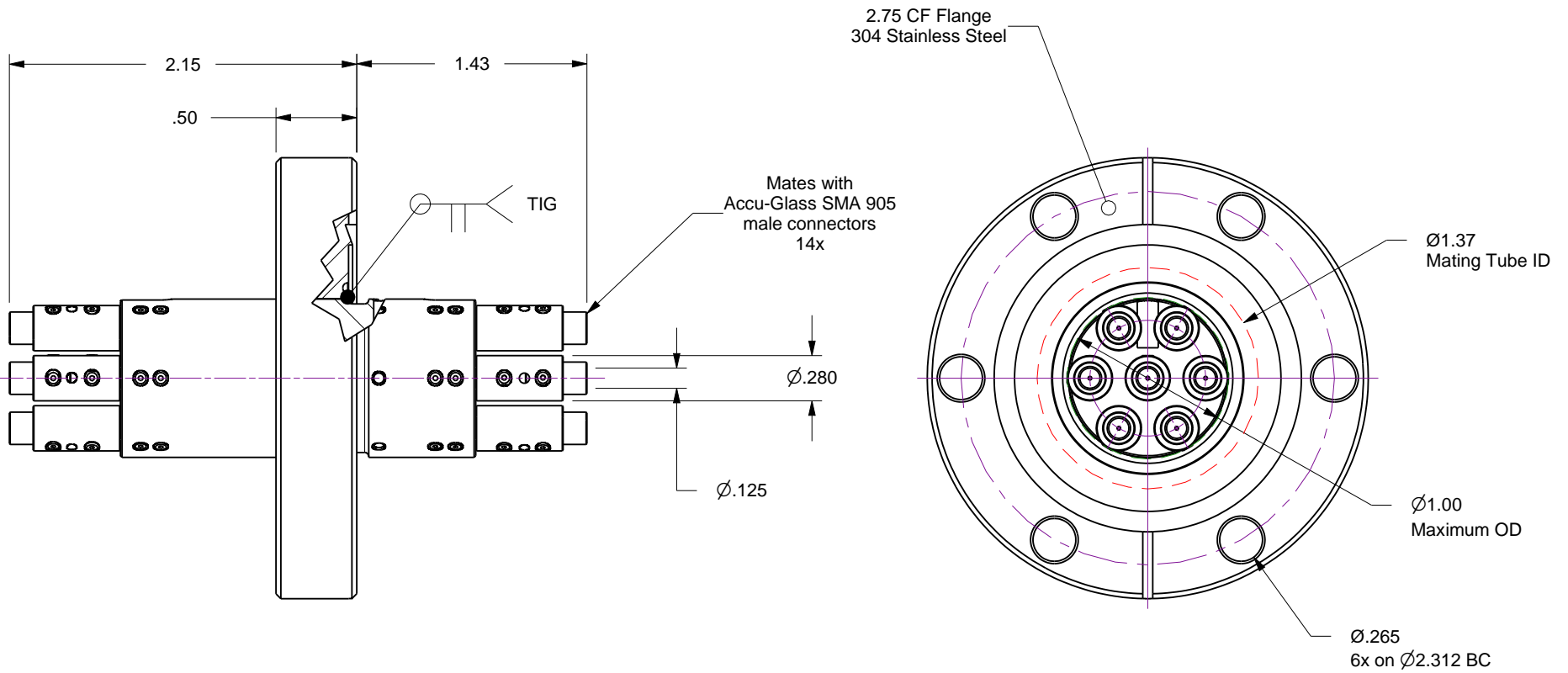
Notes

- 1. Leak test to 5x10E-10 Standard cc/sec of He
- 2. UV is for 200-800nm, and IR is for 400-2200nm range



Rev	Description	Date
A	Initial Release	

Seven Fiber Optic Feedthrough on CF Flange				
UV	IR		Fiber Size	Flange
112814	112819		100µm	CF275
112815	112820		200µm	CF275
112816	112821		400µm	CF275
112817	112822		600µm	CF275
112818	112823		1000µm	CF275



Accu-Glass Products Inc.
25047 Anza Drive
Valencia, CA 91355
T 818-365-4215
F 818-365-7074
www.accuglassproducts.com

UNCONTROLLED WEB DRAWING

Proprietary and Confidential
The information contained in this drawing is the sole property of Accu-Glass, Products Inc. Any reproduction, in part or as whole, without the written permission of Accu-Glass Products, Inc., is strictly prohibited.

Material See Individual Parts	
Tolerances, unless otherwise specified	
.X ± .030	Angles ± 0.5° Finish 63Ra
.XX ± .010	
.XXX ± .005	

Title FO Seven Feedthrough on 2.75 CF Flange			
Drawn by Date	Ligeti 09/02/2015	No. CF Seven Fiber VFT	Rev. A
Approved			Sheet