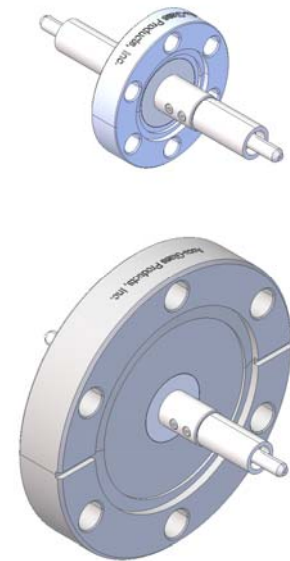
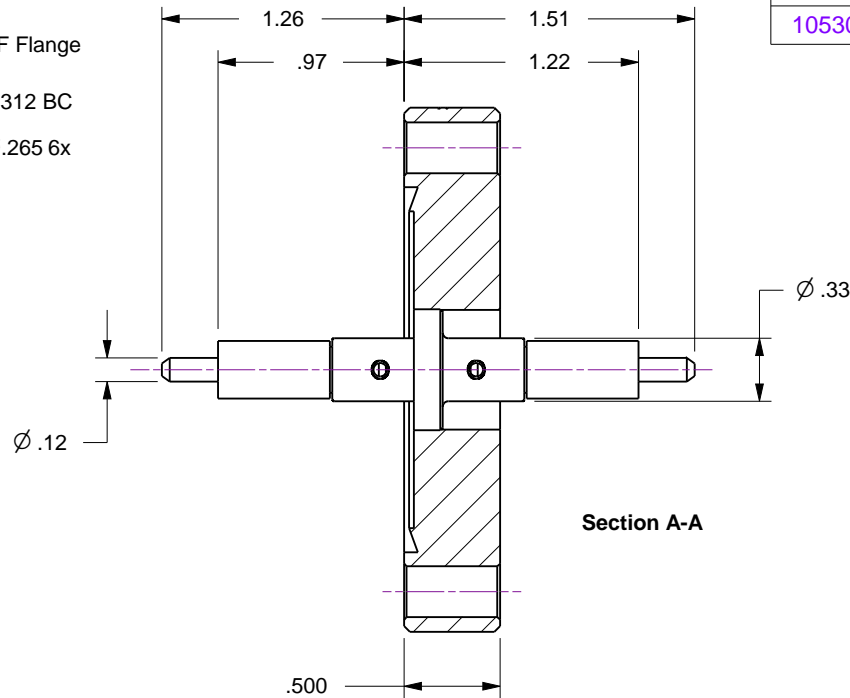
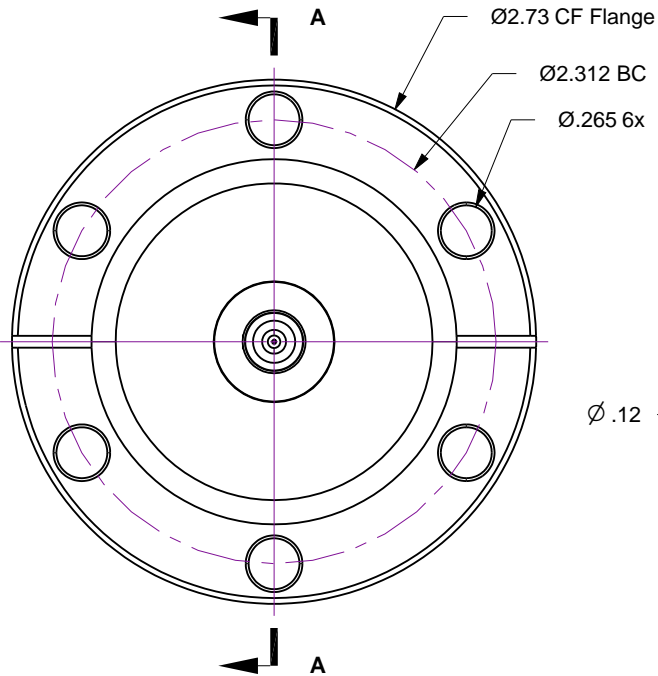
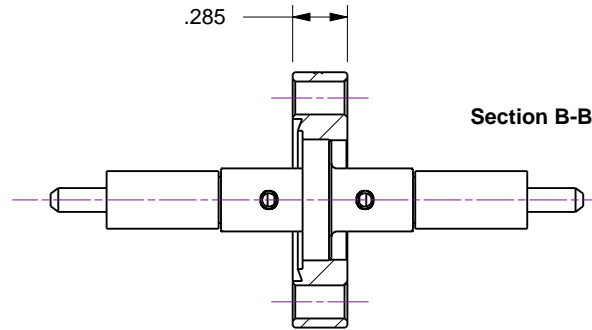
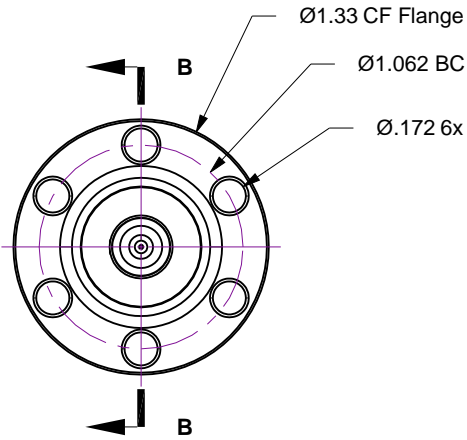


Notes

1. Leak tested to 5x10E-10 Standard cc/sec of He
2. Except for flange dimensions, axial lengths are identical between assemblies.

Rev	Description	Date
A	Initial Release	

Single Fiber Optic Feedthrough on CF Flange				
UV	IR	Graded Index	Fiber Size	Flange
-	-	112340	62.5µm	1.33
-	-	112341		2.73
112424	112553	-	100µm	1.33
112425	112554	-		2.73
105000	105020	-	200µm	1.33
105001	105021	-		2.73
105100	105120	-	400µm	1.33
105101	105121	-		2.73
105200	105220	-	600µm	1.33
105201	105221	-		2.73
105300	105320	-	1000µm	1.33
105301	105321	-		2.73



Accu-Glass Products Inc.
 25047 Anza Drive
 Valencia, CA 91355
 T 818-365-4215
 F 818-365-7074
 www.accuglassproducts.com

UNCONTROLLED WEB DRAWING

Proprietary and Confidential
 The information contained in this drawing is the sole property of Accu-Glass, Products Inc. Any reproduction, in part or as whole, without the written permission of Accu-Glass Products, Inc., is strictly prohibited.

Material See Individual Parts	
Tolerances, unless otherwise specified	
.X ± .030	Angles ± 0.5° Finish 63Ra
.XX ± .010 .XXX ± .005	

Title Single Fiber Optic Feedthrough on CF Flange with Premium SMA 905 Connector Interface			
Drawn by Date	Ligeti 6/18/2015	No. CF Single Fiber VFT	Rev. A
Approved			Sheet