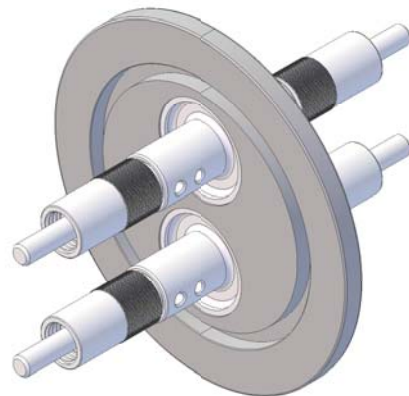


Notes

- 1. Leak test to 5x10E-10 Standard cc/sec of He.
- 2. Protect seal surface from damage.

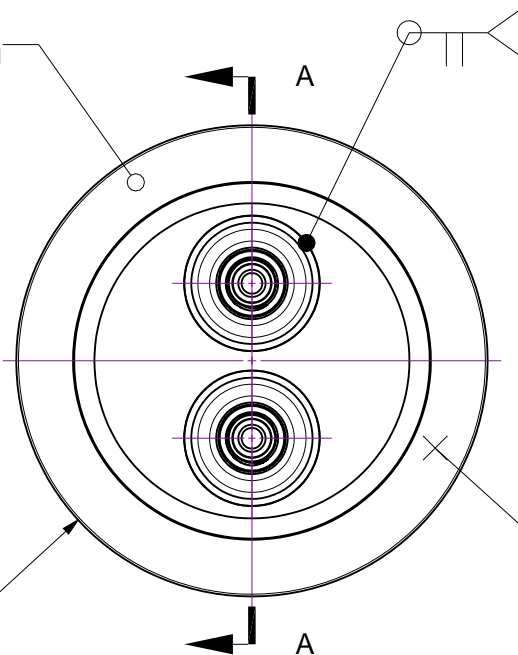


Rev	Description	Date	Approved
A	Initial Release		

Dual Fiber Optic Feedthrough on ISO NW Flange				
UV	IR	Graded Index	Fiber Size	Flange
-	-	112345	62.5µm	KF40
112429	112558	-	100µm	KF40
112304	112312	-	200µm	KF40
112305	112313	-	400µm	KF40
112306	112314	-	600µm	KF40
112307	112315	-	1000µm	KF40

ISO NW40 Flange
304 Stainless Steel

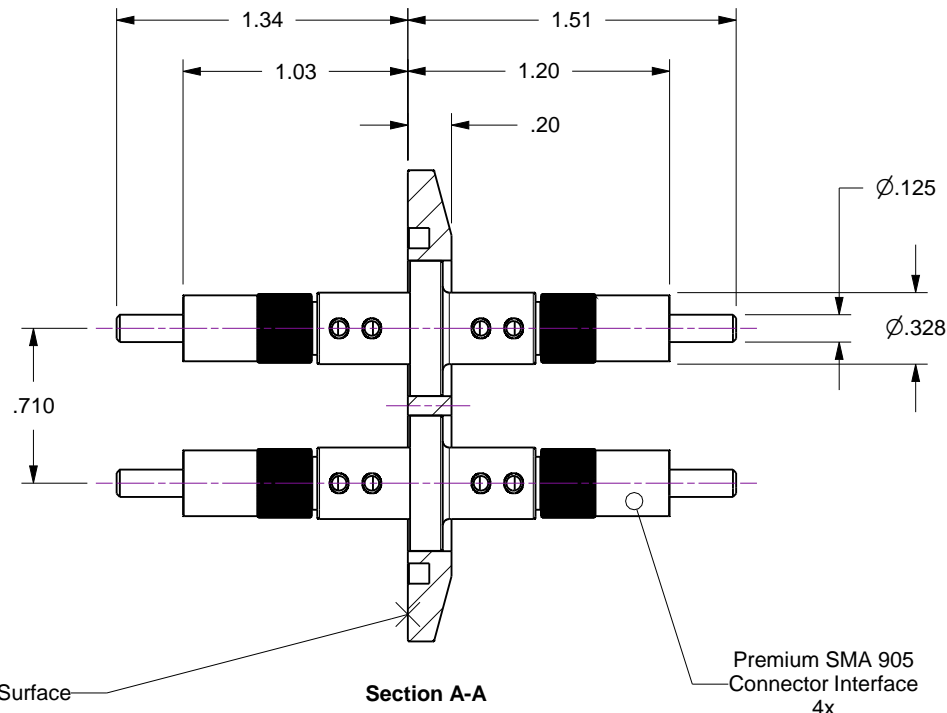
TIG 2x



Ø2.16



O-ring Seal Surface



Section A-A

Premium SMA 905
Connector Interface
4x



Accu-Glass Products Inc.
25047 Anza Drive
Valencia, CA 91355
T 818-365-4215
F 818-365-7074
www.accuglassproducts.com

UNCONTROLLED WEB DRAWING

Proprietary and Confidential
The information contained in this drawing is the sole property of Accu-Glass, Products Inc. Any reproduction, in part or as whole, without the written permission of Accu-Glass Products, Inc., is strictly prohibited.

Material

Tolerances,
unless otherwise specified

.X ± .030
.XX ± .010
.XXX ± .005

Angles ± 0.5°
Finish 63Ra

Title

FO Dual Feedthrough on ISO NW40 Flange

Drawn by

Ligeti
12/3/2013

Approved

No.

KF Dual Fiber VFT

Rev.

A

Sheet