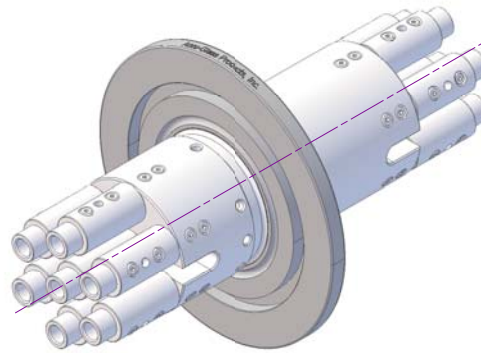


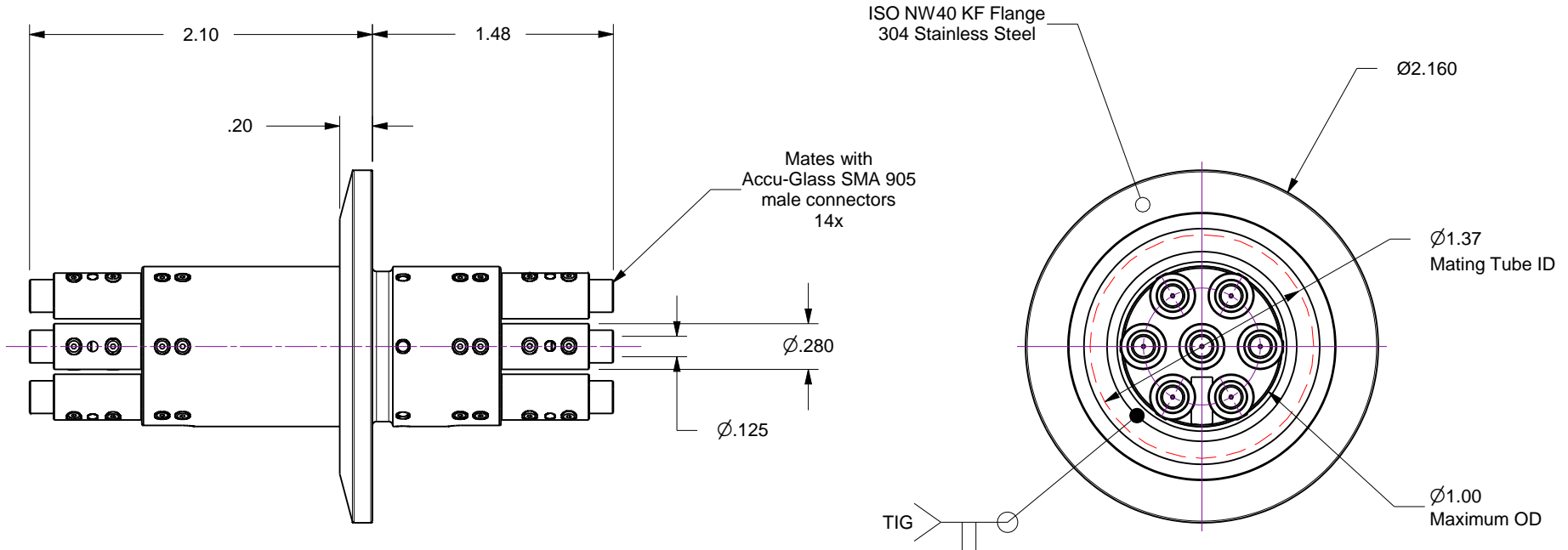
Notes

- 1. Leak test to 5x10E-10 Standard cc/sec of He
- 2. UV is for 200-800nm, and IR is for 400-2200nm range



Rev	Description	Date
A	Initial Release	-

Seven Fiber Optic Feedthrough on ISO NW Flange				
UV	IR		Fiber Size	Flange
112804	112808		100µm	KF40
112805	112809		200µm	KF40
112806	112810		400µm	KF40
112807	112811		600µm	KF40
112813	112812		1000µm	KF40



**Accu-Glass Products Inc.**  
 25047 Anza Drive  
 Valencia, CA 91355  
 T 818-365-4215  
 F 818-365-7074  
 www.accuglassproducts.com

**UNCONTROLLED WEB DRAWING**

Proprietary and Confidential  
 The information contained in this drawing is the sole property of Accu-Glass, Products Inc. Any reproduction, in part or as whole, without the written permission of Accu-Glass Products, Inc., is strictly prohibited.

Material		Title		
Material		FO Seven Feedthrough on ISO NW40 KF Flange		
Tolerances, unless otherwise specified		Drawn by	Ligeti	No. <b>KF Seven Fiber VFT</b>
.X ± .030	Angles ± 0.5°	Date	09/02/2015	
.XX ± .010	Finish 63Ra	Approved		Rev. <b>A</b>
.XXX ± .005				Sheet