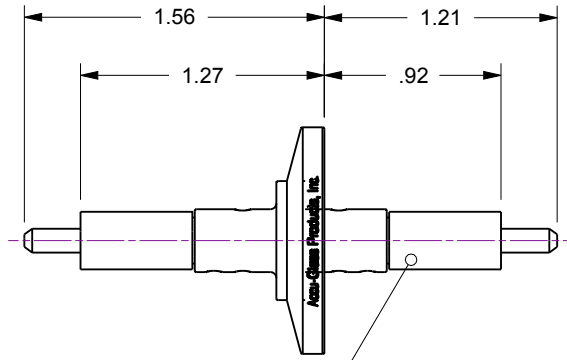


Notes

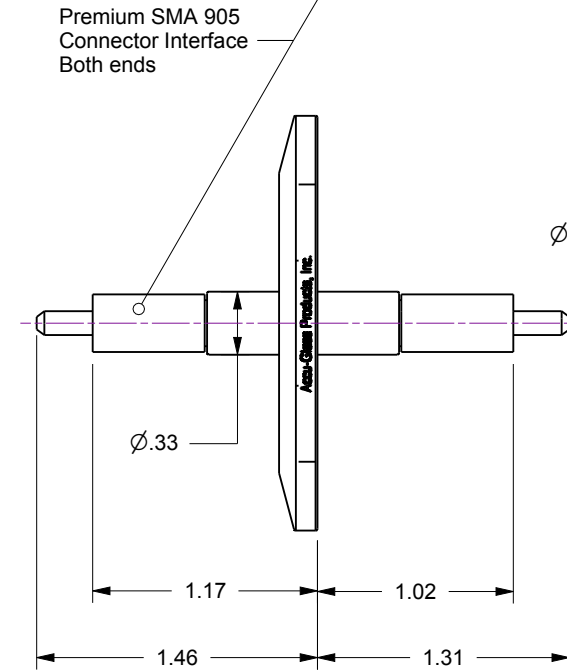
1. Leak tested to 5x10E-10 Standard cc/sec of He
2. As depicted, axial dimensions differ between ISO NW16 and NW40 assemblies.

Rev	Description	Date	Approved
A	Initial Release		

Single Fiber Optic Feedthrough on ISO NW Flange				
UV	IR	Graded Index	Fiber Size	Flange
-	-	112343	62.5µm	KF16
-	-	112344		KF40
112427	112556	-	100µm	KF16
112428	112557	-		KF40
105010	105030	-	200µm	KF16
105011	105031	-		KF40
105110	105130	-	400µm	KF16
105111	105131	-		KF40
105210	105230	-	600µm	KF16
105211	105231	-		KF40
105310	105330	-	1000µm	KF16
105311	105331	-		KF40

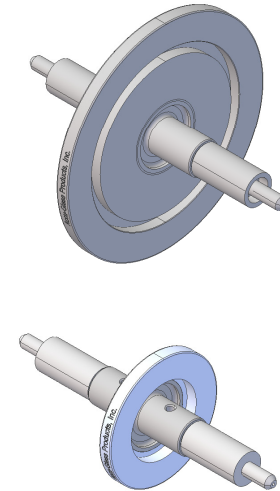


ISO NW16 KF Flange, 304 SS $\phi 1.18$ [$\phi 30$ mm]



ISO NW40 KF Flange, 304SS $\phi 2.16$ [$\phi 55$ mm]

Premium SMA 905 Connector Interface Both ends



Accu-Glass Products Inc.
 25047 Anza Drive
 Valencia, CA 91355
 T 818-365-4215
 F 818-365-7074
 www.accuglassproducts.com

UNCONTROLLED WEB DRAWING

Proprietary and Confidential
 The information contained in this drawing is the sole property of Accu-Glass, Products Inc. Any reproduction, in part or as whole, without the written permission of Accu-Glass Products, Inc., is strictly prohibited.

Material	
Tolerances, unless otherwise specified	
.X ± .030	Angles ± 0.5° Finish 63Ra
.XX ± .010	
.XXX ± .005	

Title Single Fiber Optic Feedthrough on ISO NW Flange with Premium SMA 905 Connector Interface			
Drawn by Date	Ligeti 7/15/2013	No. KF Single Fiber VFT	Rev. A
Approved			Sheet