

Viewport Shutter

Bellows sealed Manually Actuated

*Manual, Push-Pull
Actuator with Position-Lock*

*Double-sided CF Flange
Interface*

*Flexible shutter blade
provides largest possible aperture*

*Push / Pull (close/open)
Twist-to-Lock*

Features

- Full port aperture
- 90° Swing angle
- Replaceable / flexible shutter blade
- Edge-welded metal bellows
- UHV compatible construction
- Temperature rated to 250°C
- Double-sided Conflat® compatible mount

Specifications

Material

Flange	304 Stainless Steel
Seal	Bellows

Vacuum Range ¹

UHV, Ultrahigh vacuum	1x10 ⁻¹⁰ Torr
-----------------------	--------------------------

Temperature Range ²

Shutter Assembly	250°C
Flange Mount, Conflat®	450°C

Notes

1. Leak tested to 5x10⁻¹⁰ Standard cc/sec of He.
2. Overall assembly ratings must be adjusted to that of its lowest rated component.
3. Shutter must be installed / mounted on a mating CF port that's fitted with a minimum 2.375 tube ID.

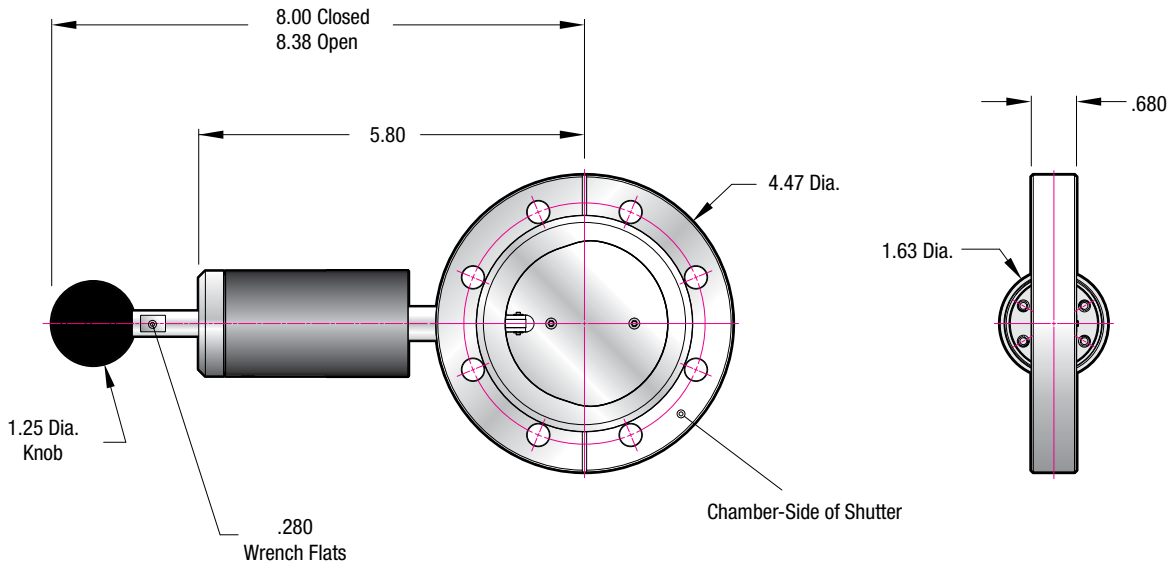
§ Unless specified otherwise, dimensional units in all sections of this catalog are expressed in inches.

AccuFlex™ Flexible Viewport Shutters

AccuFlex™ flexible viewport shutters offer 100% shielding for Conflat® CF fitted glass, quartz, and/or other substrate vacuum viewports used in vacuum evaporation and coating applications.

AccuFlex™ viewport shutters offer the largest port apertures available on the market today. Our unique flexible shutter design offers a full 90 degree shutter swing angle, when mated with CF flanged ports having largest standard tube diameter... i.e. a 4.50 CF flange fitted with a 2.50 diameter tube and 2.37 diameter bore.

The flexible stainless steel foil shutter is designed for fast and easy replacement — for when extended coating process buildup begins to reduce shutter flexibility. See our shutter replacement /maintenance kits for more information.



CF Flange — Viewport Shutter / 250°C / UHV to 1×10^{-10} Torr

Shutter Size	Flange Type	Flange OD	Aperture Max	Swing Angle	Model Number	Part Number	Unit Price \$
--------------	-------------	-----------	--------------	-------------	--------------	-------------	---------------

Shutter — Manual, Push-Pull Actuation

2.50	450 CF	4.47	2.18	90	VPSHUT-450	113275	990
------	--------	------	------	----	------------	---------------	-----

Maintenance Kit — Replacement Foil and Fasteners

2.50	1x Stainless Steel Foil shutter and 2x Torx Screws			VPSK-450	113276	40
------	--	--	--	----------	---------------	----

Compatible with Conflat® flanges and hardware



113275 / Viewport Shutter mounted on 4.50 CF Flange



113276 / Maintenance Kit Replacement Foil and Fasteners