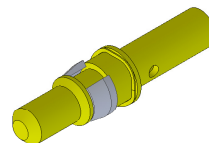
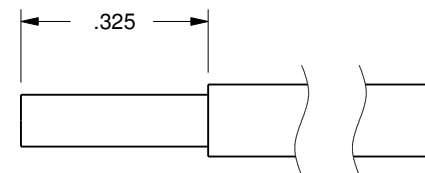
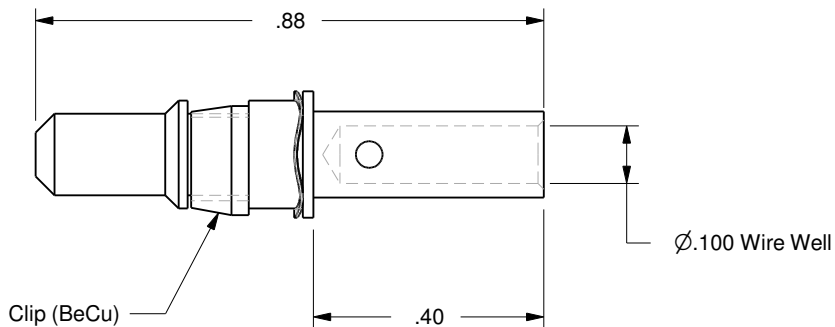


Notes

- 1. Use Crimp Tool PN 101080 (DCT-3)



Rev.	Description	Date	Made By	Approval
A	Initial Release	8/16/2007	MW	
B	Clip Material Changed	5/18/16	Farrell	JF
C	Clip Material was Polyetherimide PEI	6/3/2020	Farrell	JF



Wire Stripping Dimensions



**Accu-Glass Products Inc.**  
 25047 Anza Drive  
 Valencia, CA 91355  
 T 818-365-4215  
 F 818-365-7074  
 www.accuglassproducts.com

**UNCONTROLLED WEB DRAWING**

Proprietary and Confidential  
 The information contained in this drawing is the sole property of Accu-Glass, Products Inc. Any reproduction, in part or as whole, without the written permission of Accu-Glass Products, Inc., is strictly prohibited.

Material  
 See Individual Components

Tolerances,  
 unless otherwise specified

.X ± .030	Angles ± 0.5° Finish 63Ra
.XX ± .010	
.XXX ± .005	

Title <b>PP-5 (Male)</b>			
Drawn by Date	MW 8/16/2007	No. <b>101001</b>	Rev. <b>C</b>
Approved			Sheet