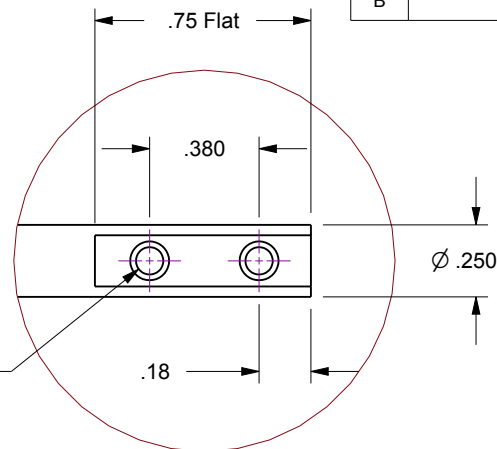


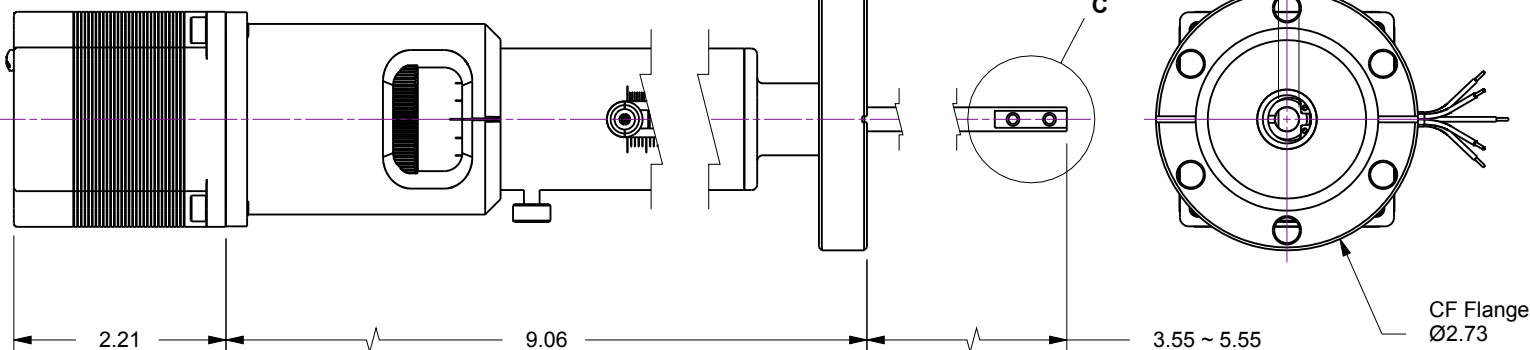
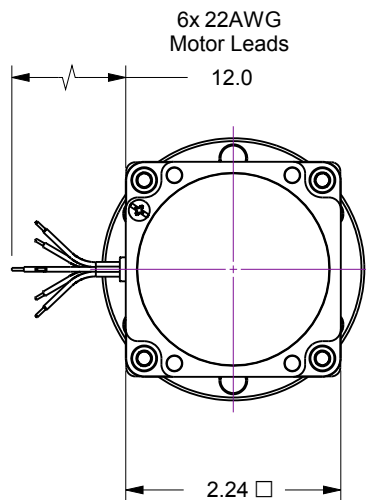
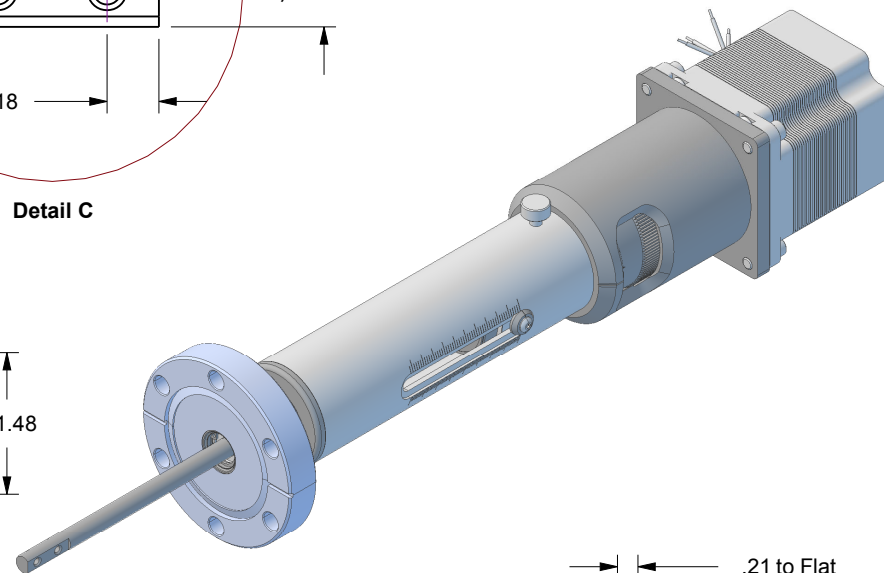
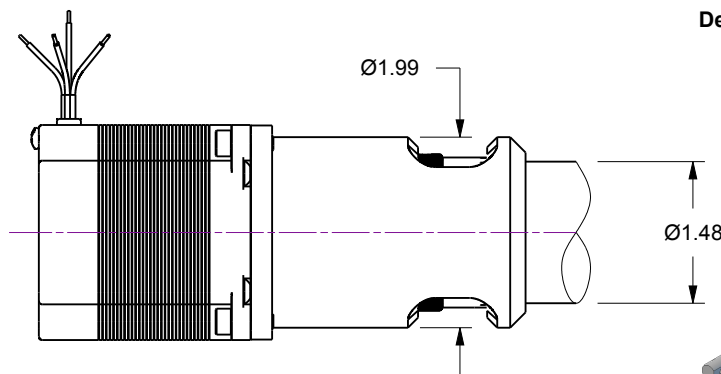
Notes

- 1. HTL-275-2-12... 2-Inch Linear Travel Feedthrough w/Actuator Option-12, 170 oz-in torque DC Stepper Motor, 200 full-step resolution
- 2. Welded bellows sealed air-to-vacuum interface
- 3. Leak test to 5x10E-10 Standard cc/sec of He
- 4. Maximum Loads : 5lb Axial / 5lb Lateral @ 2-inch from flange face
- 5. Scale Resolution : .025 inch Linear

Rev.	Description	Date	Made By	Approval
B	Remodeled	4/3/2019	AL	



Detail C



UNCONTROLLED WEB DRAWING

Proprietary and Confidential
 The information contained in this drawing is the sole property of Accu-Glass, Products Inc. Any reproduction, in part or as whole, without the written permission of Accu-Glass Products, Inc., is strictly prohibited.

Material See Individual Components	
Tolerances, unless otherwise specified	
.X ± .030	Angles ± 0.5°
.XX ± .010	Finish 63Ra
.XXX ± .005	

Title HTL-275-2-12			
Drawn by Date	Ligeti 4/2/2019	No. 102230.12	Rev. B
Approved			Sheet



Accu-Glass Products Inc.
 25047 Anza Drive
 Valencia, CA 91355
 T 818-365-4215
 F 818-365-7074
 www.accuglassproducts.com