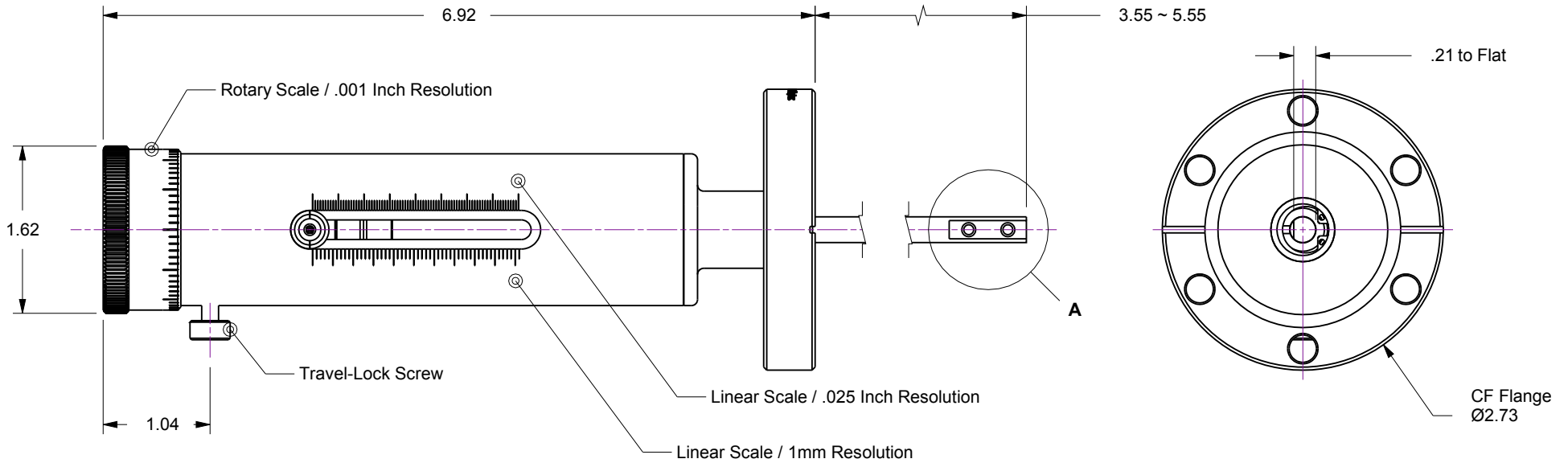
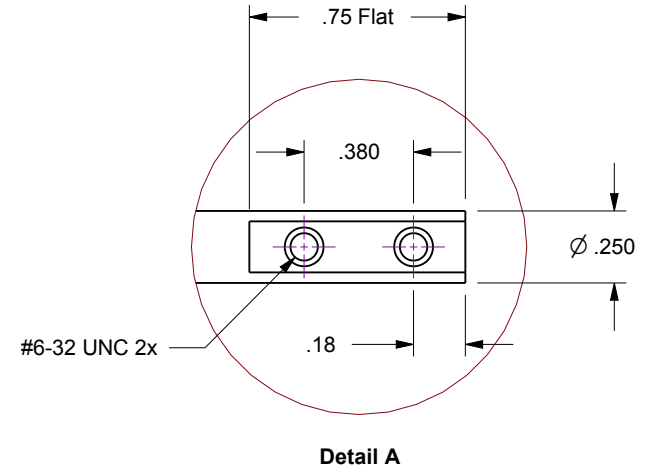
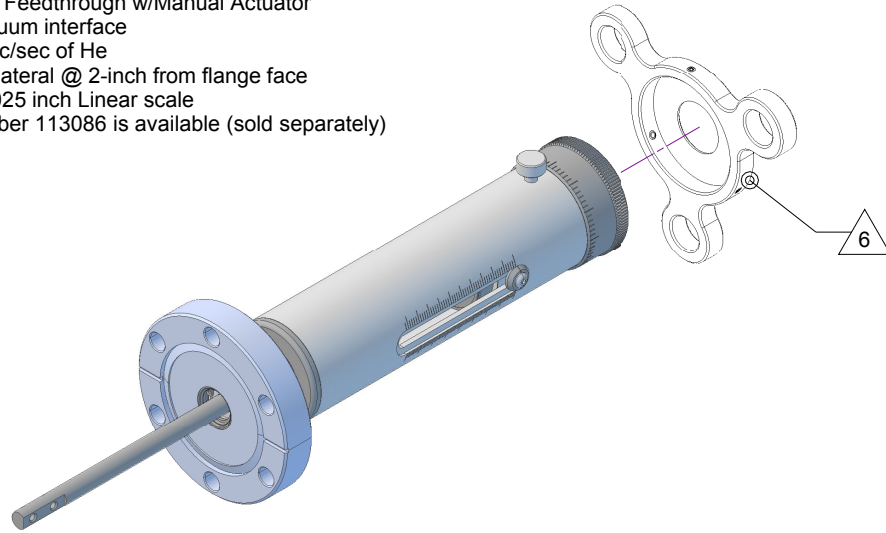


Notes

- 1. HTL-275-2... 2-Inch Linear Travel Feedthrough w/Manual Actuator
- 2. Welded bellows sealed air-to-vacuum interface
- 3. Leak test to 5x10E-10 Standard cc/sec of He
- 4. Maximum Loads : 5lb Axial / 5lb Lateral @ 2-inch from flange face
- 5. Resolution : .001 Rotary scale / .025 inch Linear scale
- 6. Optional 'Speed-Handle' part number 113086 is available (sold separately)

Rev.	Description	Date	Made By	Approval
B	Remodeled	4/2/2019	AL	



Accu-Glass Products Inc.
 25047 Anza Drive
 Valencia, CA 91355
 T 818-365-4215
 F 818-365-7074
 www.accuglassproducts.com

UNCONTROLLED WEB DRAWING

Proprietary and Confidential
 The information contained in this drawing is the sole property of Accu-Glass, Products Inc. Any reproduction, in part or as whole, without the written permission of Accu-Glass Products, Inc., is strictly prohibited.

Material See Individual Components	
Tolerances, unless otherwise specified	
.X \pm .030	Angles $\pm 0.5^\circ$
.XX \pm .010	Finish 63Ra
.XXX \pm .005	

Title HTL-275-2			
Drawn by Date	Ligeti 4/2/2019	No. 102230	Rev. B
Approved			Sheet