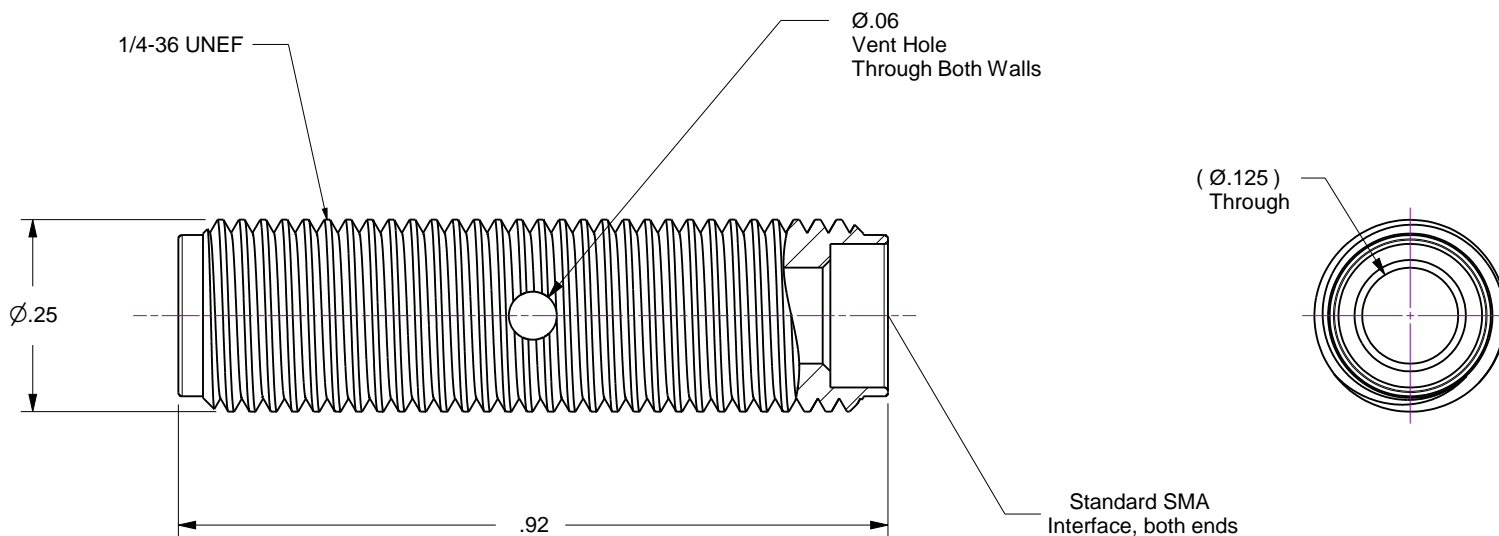
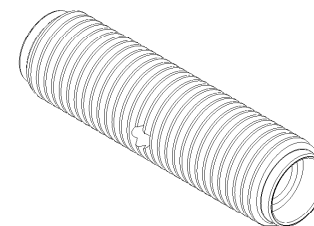


Notes

- 1. Suitable for use in High and Ultrahigh vacuum environments.

Rev	Description	Date
A	Initial Release	



**UNCONTROLLED WEB DRAWING**

Proprietary and Confidential  
 The information contained in this drawing is the sole property of Accu-Glass, Products Inc. Any reproduction, in part or as whole, without the written permission of Accu-Glass Products, Inc., is strictly prohibited.

Material Stainless Steel - 304	
Tolerances, unless otherwise specified	
.X ± .030	Angles ± 0.5°
.XX ± .010	Finish 63Ra
.XXX ± .005	

Title FOVent-C, FO SMA 905 Coupler/Adapter			
Drawn by Date	Ligeti 10/29/2013	No. <b>105450</b>	Rev. <b>A</b>
Approved			Sheet



**Accu-Glass Products Inc.**  
 25047 Anza Drive  
 Valencia, CA 91355  
 T 818-365-4215  
 F 818-365-7074  
 www.accuglassproducts.com