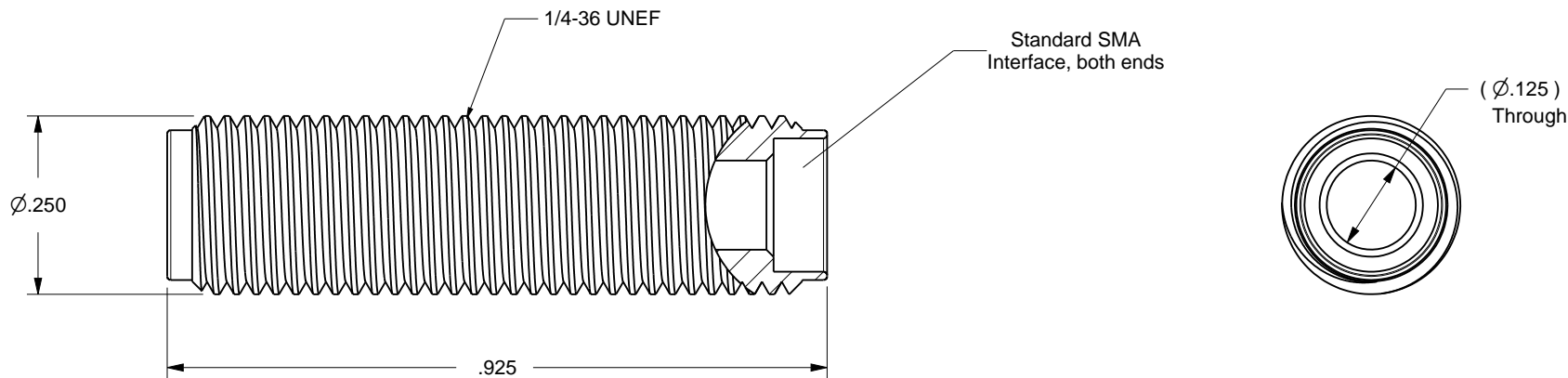


Notes

1. Suitable for use in atmospheric environment only.

| Rev | Description | Date |
|-----|-----------------|------|
| A | Initial Release | |



Accu-Glass Products Inc.
 25047 Anza Drive
 Valencia, CA 91355
 T 818-365-4215
 F 818-365-7074
 www.accuglassproducts.com

UNCONTROLLED WEB DRAWING

Proprietary and Confidential
 The information contained in this drawing is the sole property of Accu-Glass, Products Inc. Any reproduction, in part or as whole, without the written permission of Accu-Glass Products, Inc., is strictly prohibited.

| | |
|---|------------------------------|
| Material Stainless Steel | |
| Tolerances, unless otherwise specified | |
| .X ± .030 | Angles ± 0.5° Finish 63Ra |
| .XX ± .010 | |
| .XXX ± .005 | |

| | | | |
|--|----------------------|-------------------|------------------|
| Title FO-C, Adapter, SMA 905 Air-Service Inline | | | |
| Drawn by Date | Ligeti 10/30/2013 | No. 105451 | Rev. A |
| Approved | | | Sheet |

A

B

C

D