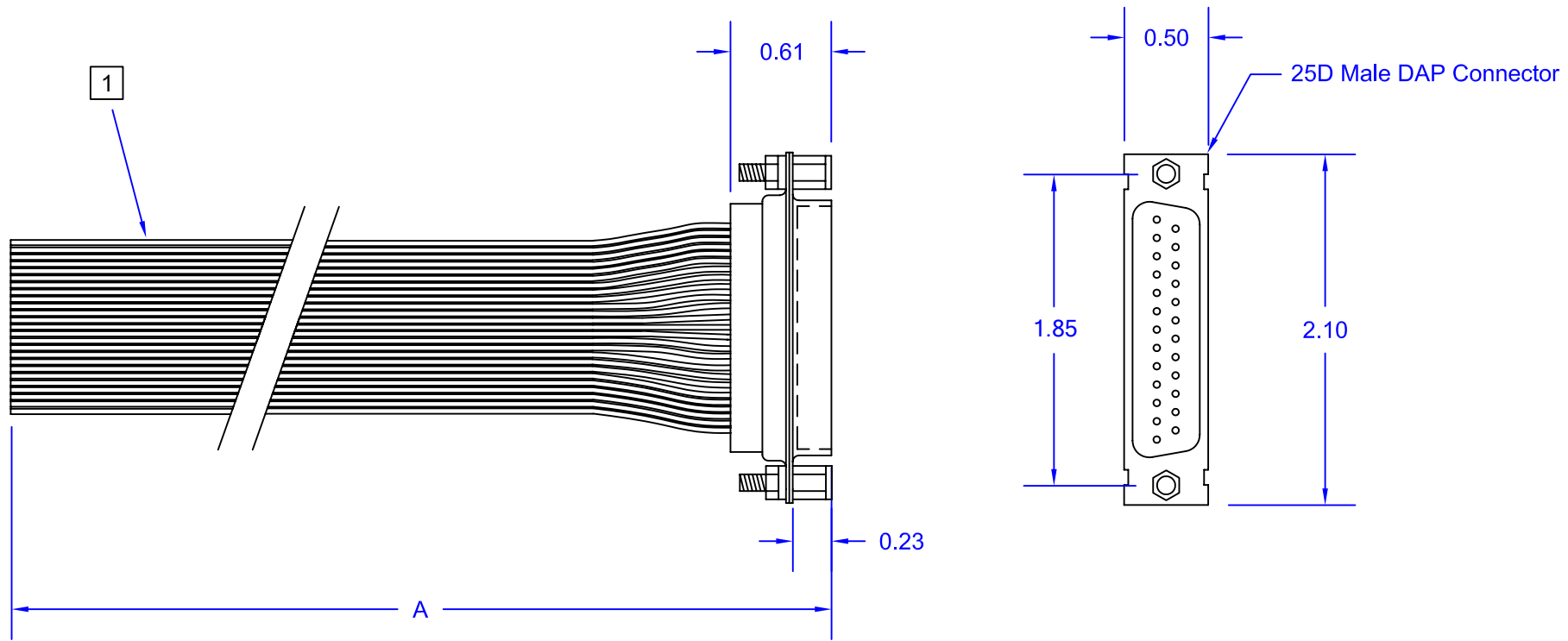


- 1 25 Conductor Teflon[®] FEP insulated ribbon cable,
28 AWG silver plated copper stranded wires 7 x 0.005.

REVISIONS			
REV	DESCRIPTION	DATE	APPROVED



Part #	Model #	A
110029	HVB-R25-19PC	19"
110030	HVB-R25-39PC	39"



Accu-Glass Products Inc.
25047 Anza Drive
Valencia, CA 91355
TEL 818-365-4215
FAX 818-365-7074
accuglassproducts.com

Notes :

*** UNCONTROLLED WEB COPY ***

Material		Title	
Tolerances unless otherwise specified		HVB-R25-19PC Male Pin HV Connector to Cable	
Decimal	Angular	Drawn By	Date
.xx= +/- .005	+/- 1°	M.Wilson	2021/10/21
.xxx= +/- .002		DWG NO.	Cage Code
		110029	: 4HCQ8
Approved		PDFE	