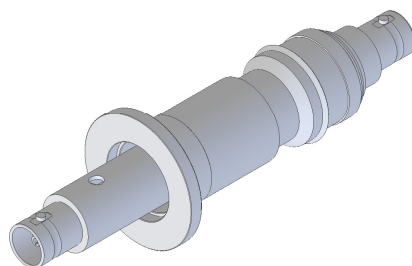


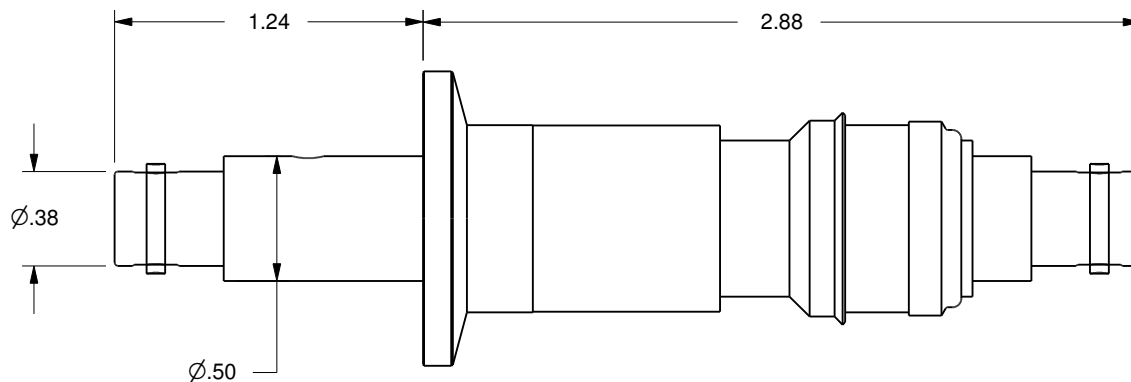
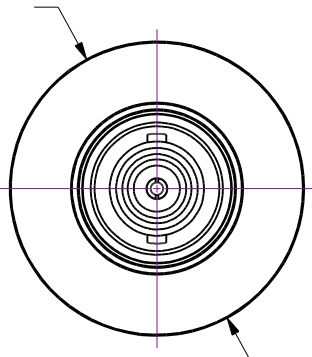
Notes

- 1. Leak Tested To 5x10E-10 standard cc/se of He.
- 2. Dimensions Symmetrical About Centerlines.
- 3. Break All Sharp Edges, .005 - .010, Unless Otherwise Noted.
- 4. Protect flange (O-ring) Seal Surface and Feedthroughs From Damage.

| Rev. | Description     | Date      | Made By | Approval |
|------|-----------------|-----------|---------|----------|
| A    | Initial Release | 6/30/2020 | Farrell |          |



Flange, NW16 KF  
Stainless Steel, 304  
Ø1.18



**UNCONTROLLED WEB DRAWING**

Proprietary and Confidential  
The information contained in this drawing is the sole property of Accu-Glass, Products Inc. Any reproduction, in part or as whole, without the written permission of Accu-Glass Products, Inc., is strictly prohibited.

Material  
See Individual Components

Tolerances,  
unless otherwise specified

|             |                              |
|-------------|------------------------------|
| .X ± .030   | Angles ± 0.5°<br>Finish 63Ra |
| .XX ± .010  |                              |
| .XXX ± .005 |                              |

|                             |                      |                   |               |  |
|-----------------------------|----------------------|-------------------|---------------|--|
| Title<br><b>2BNC-FS-K16</b> |                      |                   |               |  |
| Drawn by<br>Date            | Farrell<br>6/30/2020 | No. <b>110136</b> | Rev. <b>A</b> |  |
| Approved                    |                      |                   | Sheet         |  |



**Accu-Glass Products Inc.**  
25047 Anza Drive  
Valencia, CA 91355  
T 818-365-4215  
F 818-365-7074  
www.accuglassproducts.com