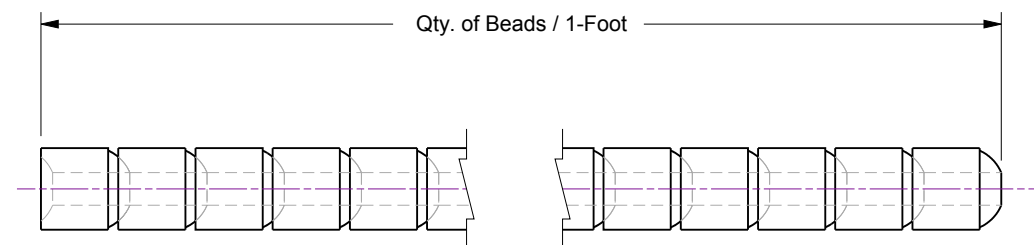
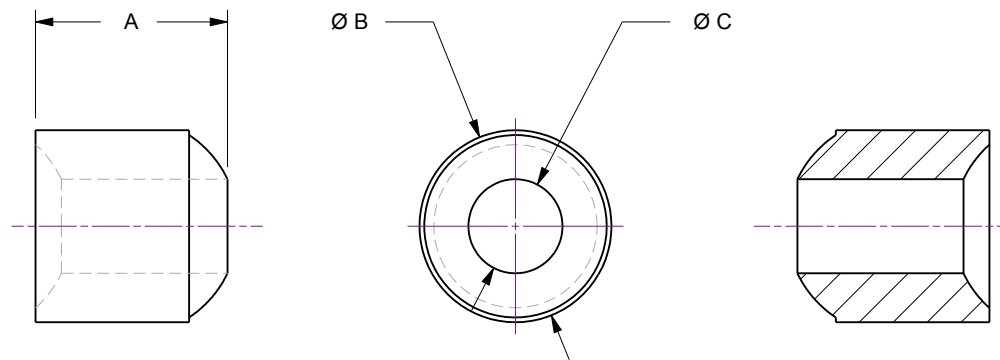


Notes

Rev	Description	Date



Part No.	Model No.	A Length	B OD	C Bore / ID	Accepts Wire Dia.	Qty. of Beads / 1Ft
110300	CAB-068	.17	.170	.068	.050	75
110310	CAB-098	.20	.200	.098	.085	75
110320	CAB-156	.26	.260	.156	.128	55



Accu-Glass Products Inc.
 25047 Anza Drive
 Valencia, CA 91355
 T 818-365-4215
 F 818-365-7074
 www.accuglassproducts.com

UNCONTROLLED WEB DRAWING

Proprietary and Confidential
 The information contained in this drawing is the sole property of Accu-Glass, Products Inc. Any reproduction, in part or as whole, without the written permission of Accu-Glass Products, Inc., is strictly prohibited.

Material Ceramic / L3 Steatite	
Tolerances, unless otherwise specified	
.X ± .030	Angles ± 0.5° Finish 63Ra
.XX ± .010	
.XXX ± .005	

Title Ceramic Fish-Spine Beads			
Drawn by Date	Ligeti 20211123	No. 1103XX	Rev.
Approved		Cage Code 4HCQ8	Sheet