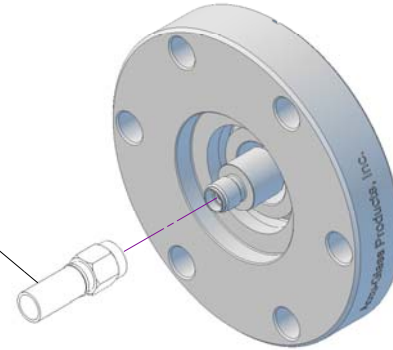


Notes

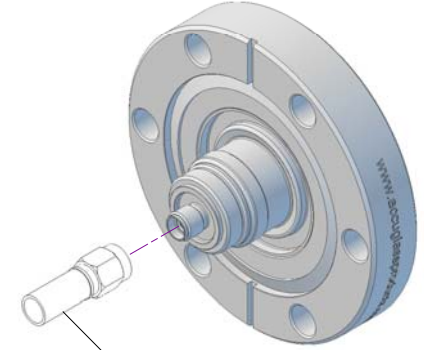
- 1. Floating SMA, Double-Ended, Coaxial Feedthrough on 2-3/4 CF Flange
- 2. UHV service to 1x10E-10 Torr
- 3. Mating air and vacuum-side cable-fitted connectors are also available (sold separately)
- 4. Protect seal surface (knife-edge) from damage
- 5. Leak test to 5x10E-10 Standard cc/sec of He

Rev.	Description	Date	Made By	Approval
B	Remodeled	2018/09/05	AL	

110765 (48")
Air-Side Cable
(sold separately)



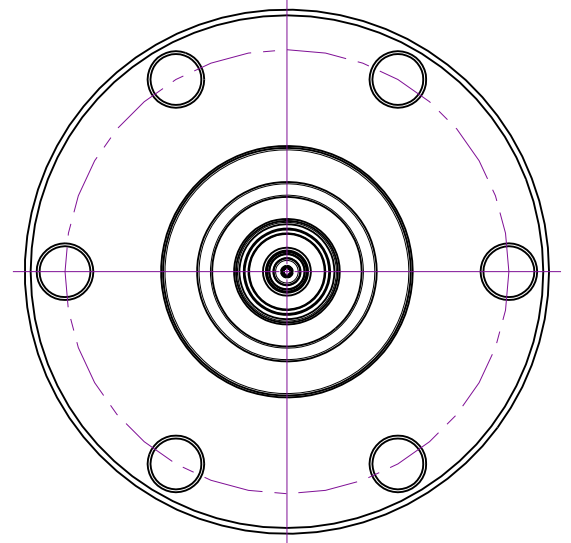
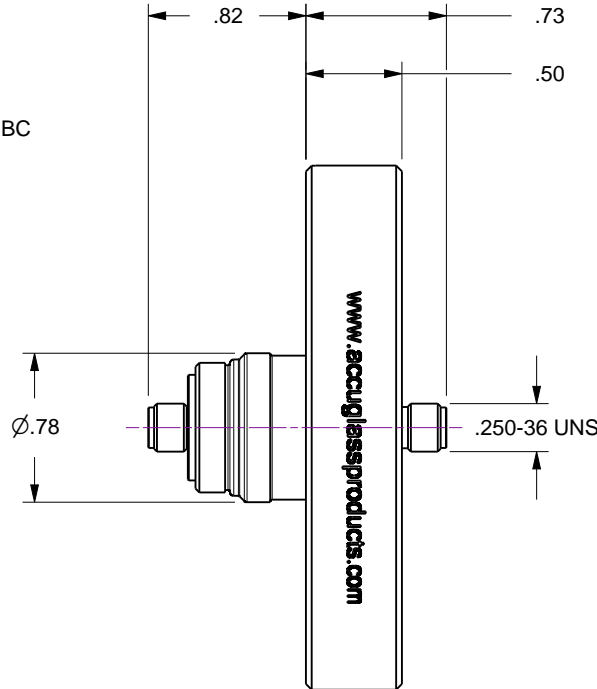
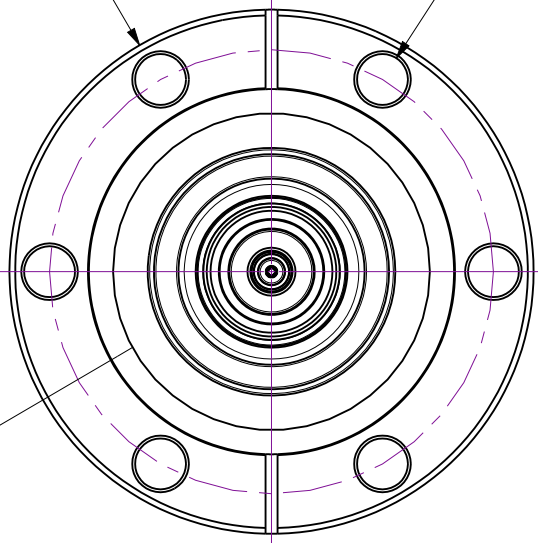
110755 (19") / 110756 (39")
Vacuum-Side Cables
(sold separately)



2-3/4 CF Flange
Ø2.73

6x
Ø.265
Ø2.312 BC

4



UNCONTROLLED WEB DRAWING

Proprietary and Confidential
The information contained in this drawing is the sole property of Accu-Glass, Products Inc. Any reproduction, in part or as whole, without the written permission of Accu-Glass Products, Inc., is strictly prohibited.

Material See Individual Components	
Tolerances, unless otherwise specified	
.X ± .030	Angles ± 0.5°
.XX ± .010	Finish 63Ra
.XXX ± .005	

Title SMA, DE Coaxial / on 2.75 CF			
Drawn by Date	Ligeti 9/5/2018	No. 110758	Rev. B
Approved			Sheet



Accu-Glass Products Inc.
25047 Anza Drive
Valencia, CA 91355
T 818-365-4215
F 818-365-7074
www.accuglassproducts.com